

# PHOENIX STAND/TYPE III BARRICADE POST CONFIGURATION GUIDE

HOLES MATCH SIGN SPACING

PIN HOLE FOR BASE

SIGN SIDE

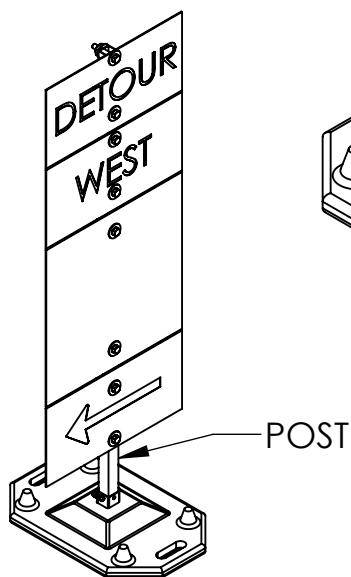
TO SETUP, SLIDE THE POST INTO A PHOENIX BASE & SECURE WITH A PIN. THEN BOLT THE BARRICADE RAILS OR SIGNS TO THE POST.

FOR TYPE III BARRICADE: INSTALL THE LOWER RAIL INTO THE 2ND HOLE UP. EACH RAIL USES TWO BOLTS, WITH TWO HOLES SKIPPED IN BETWEEN.

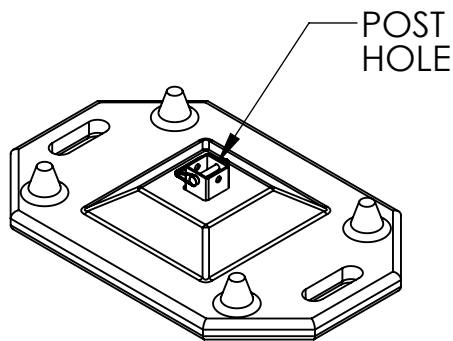
7.00

TYPE III SIDE

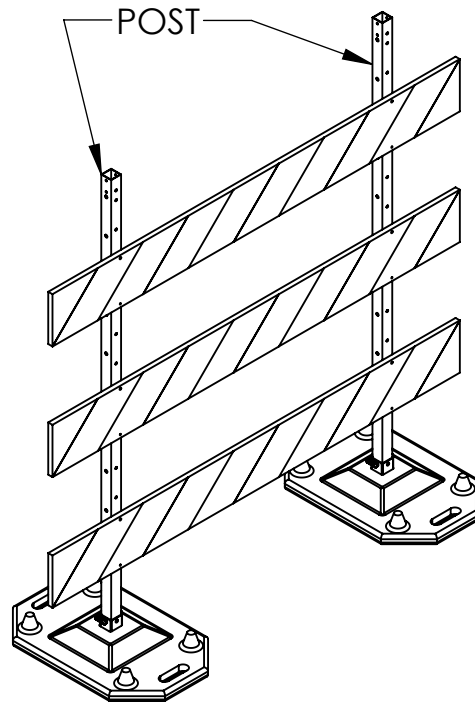
CHOOSE BETWEEN STAND AND BARRICADE BY ROTATING THE POST



SIGN STAND



PHOENIX BASE



TYPE III BARRICADE