

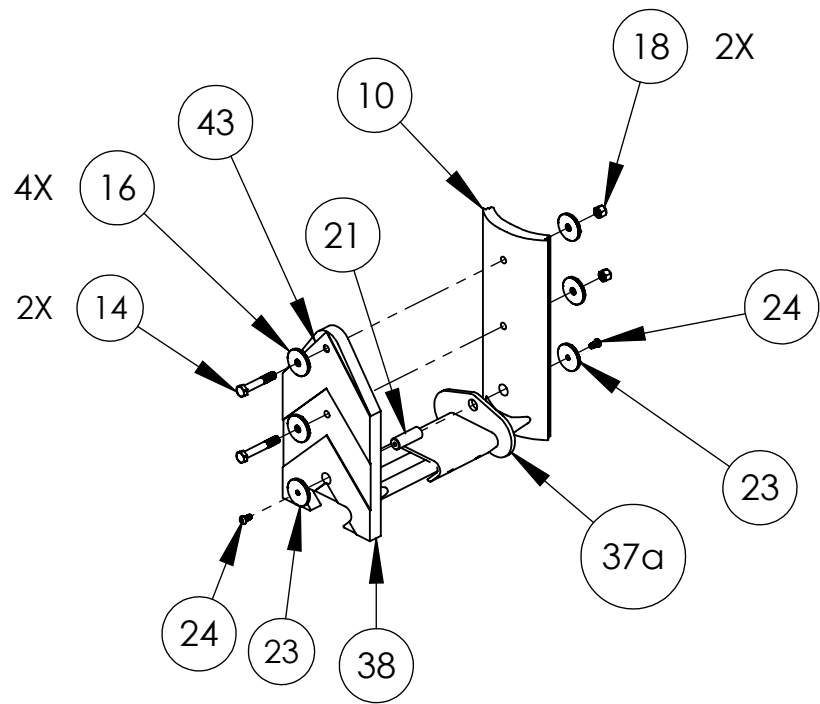
UNLESS OTHERWISE SPECIFIED:  
 ALL DIMENSIONS ARE IN INCHES[mm].  
 TOLERANCES:  
 FRACTIONAL: X/X ± 1/16" [1.6mm]  
 DECIMAL: .000 ± .0625  
 DEGREES: ± 0.5°

**Traffix Devices Inc.**  160 Avenida La Pata  
 San Clemente, CA 92673  
 (949) 361-5663  
 FAX (949) 361-9205  
 www.traffixdevices.com

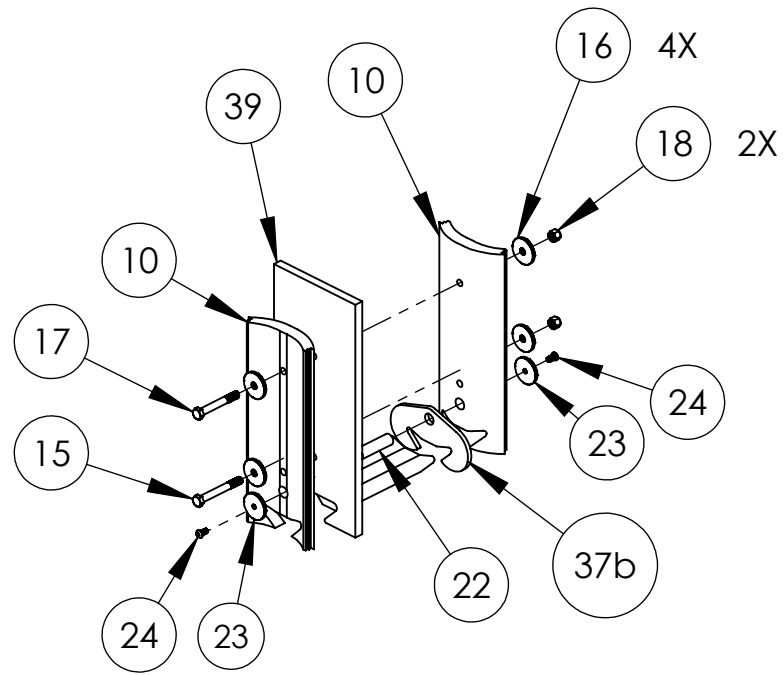
TITLE:  
**COMPRESSOR EXPLODED  
 FOR PARTS OFFER**

DRAWN BY:  
 Mary Dralle  
 CHECKED BY:  
 GM  
 APPROVED BY:  
 GM

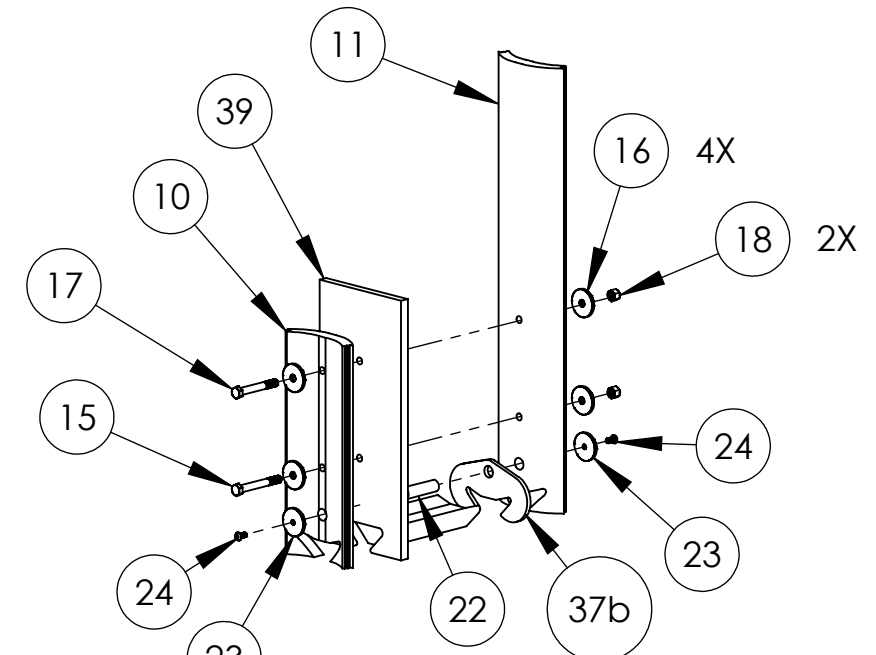
DATE: 04-17-12	SIZE <b>B</b>	DWG. NO. 600-102	REV <b>A</b>
DATE: 04-17-12			
DATE: 04-17-12			SHEET 1 OF 3



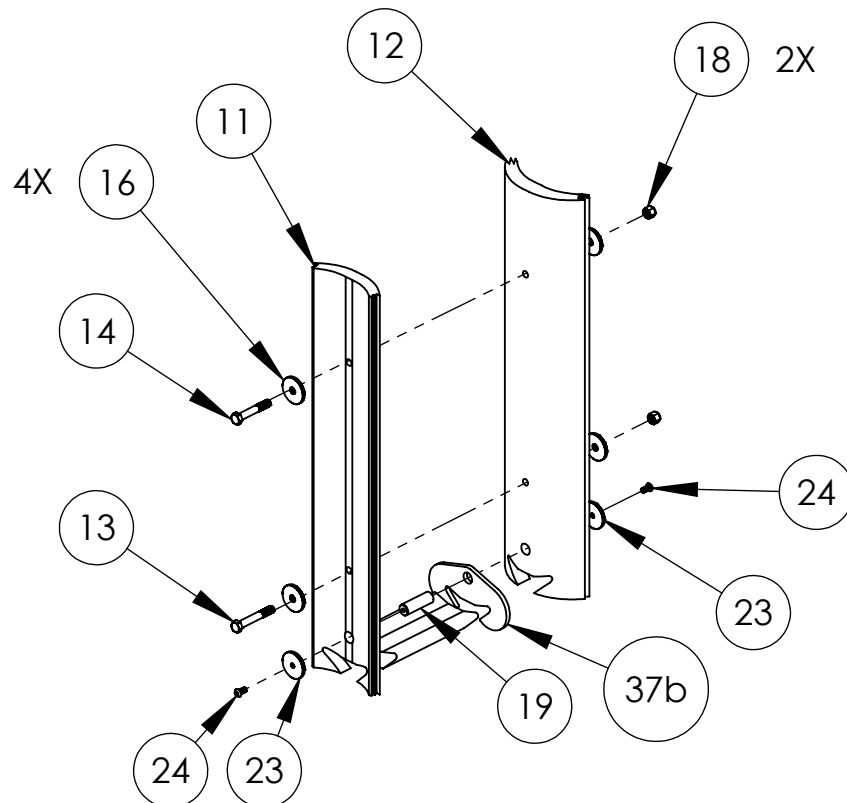
**HDPE SPACER PLATE TO  
MODULE 1 HARDWARE**



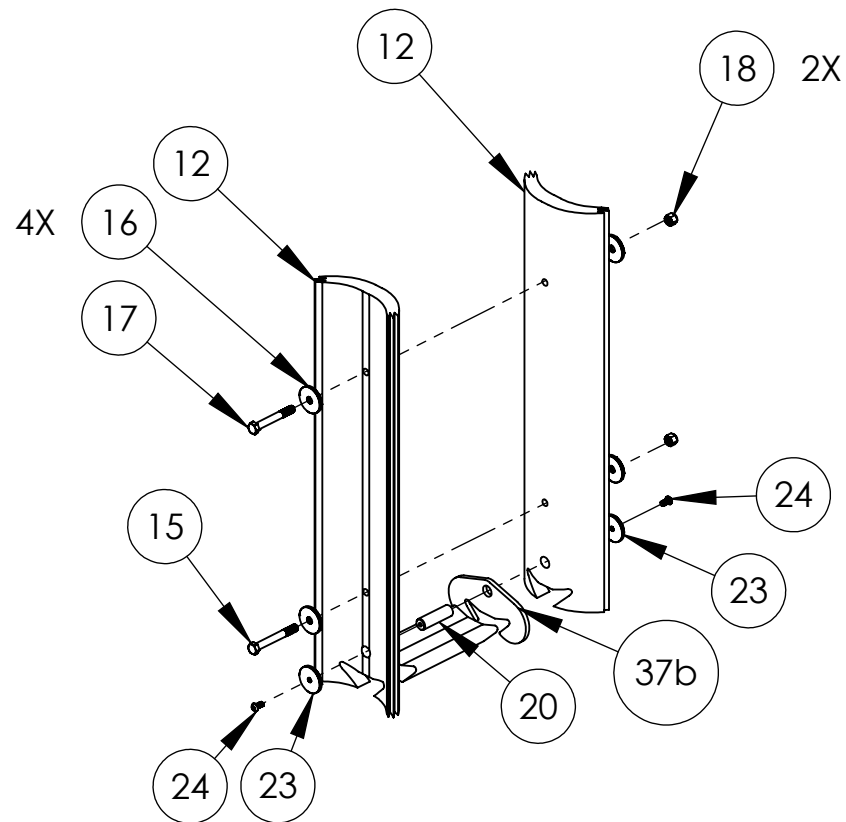
**CONNECTION MODULE 1 TO  
CONNECTION MODULE 2  
HARDWARE**



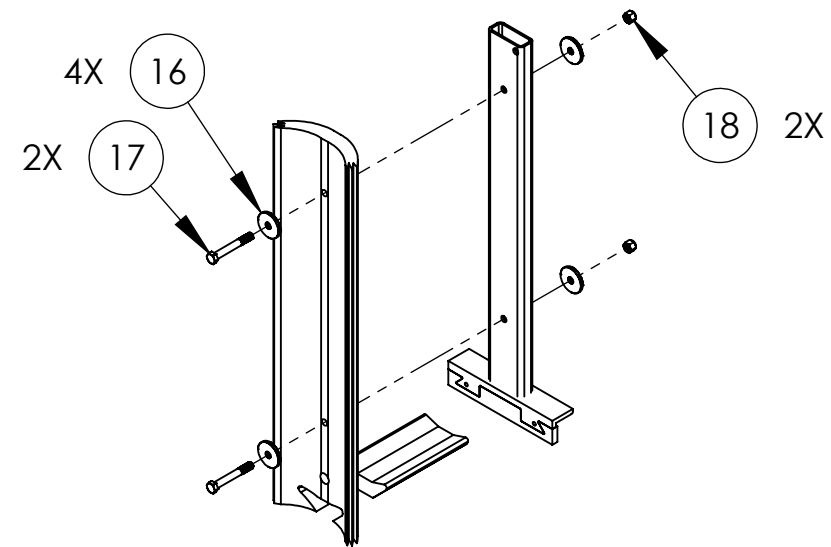
**CONNECTION MODULE 2 TO  
CONNECTION MODULE 3  
HARDWARE**



**CONNECTION MODULE 3 TO  
CONNECTION MODULE 4  
HARDWARE**



**CONNECTION MODULE 4 TO CONNECTION MODULE 5 AND  
CONNECTION MODULE 5 TO CONNECTION MODULE 6  
HARDWARE**



**CONNECTION MODULE 6 TO  
BACKSTOP HARDWARE**

UNLESS OTHERWISE SPECIFIED:  
ALL DIMENSIONS ARE IN INCHES[mm].  
TOLERANCES:  
FRACTIONAL: X/X ± 1/16" [1.6mm]  
DECIMAL: .000 ± .0625  
DEGREES: ± 0.5°

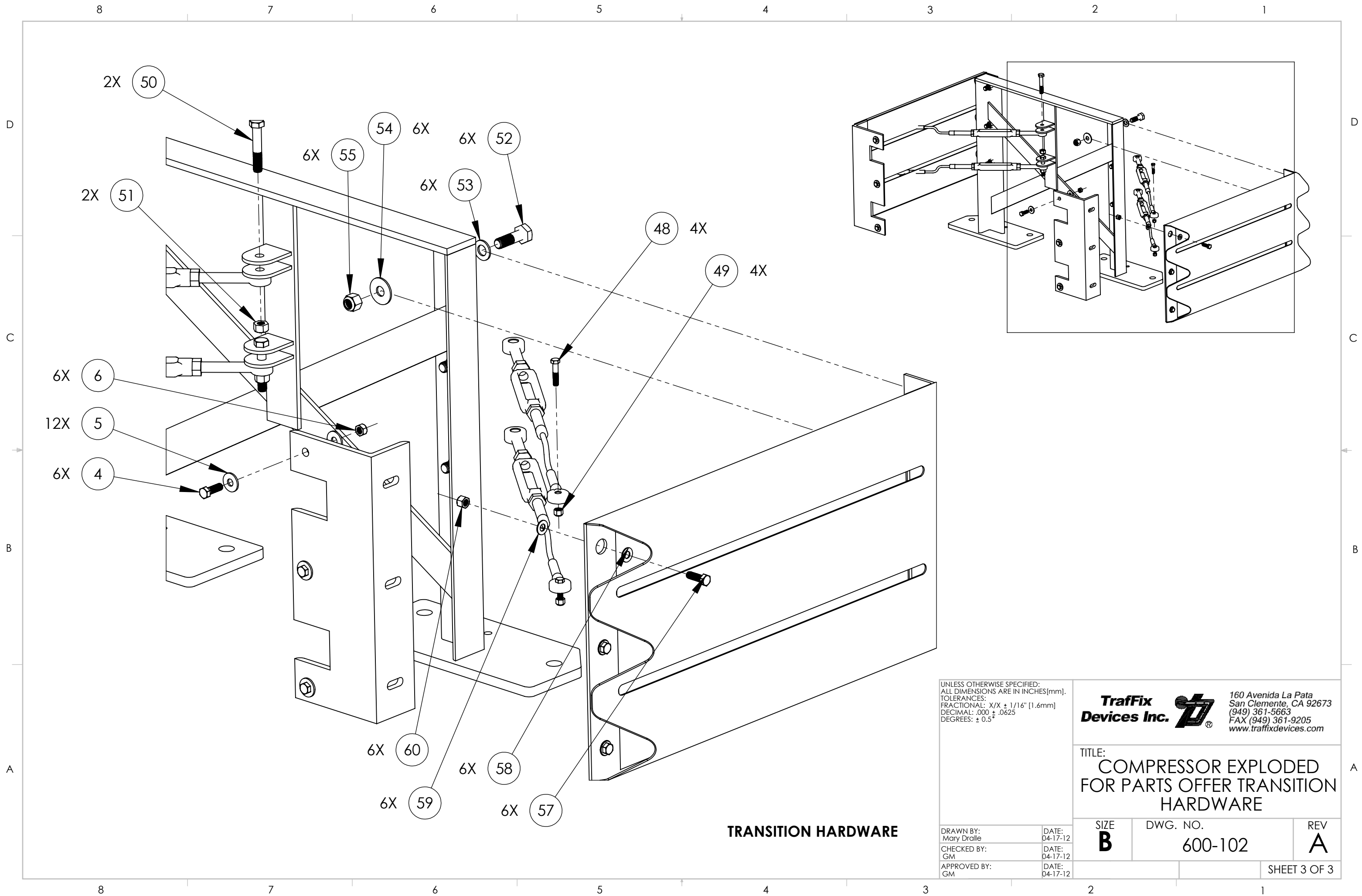


160 Avenida La Pata  
San Clemente, CA 92673  
(949) 361-5663  
FAX (949) 361-9205  
www.traffixdevices.com

TITLE:  
**COMPRESSOR EXPLODED  
FOR PARTS OFFER-MODULE  
HARDWARE**

DRAWN BY:  
Mary Dralle  
DATE:  
04-17-12  
CHECKED BY:  
GM  
DATE:  
04-17-12  
APPROVED BY:  
GM  
DATE:  
04-17-12

SIZE <b>B</b>	DWG. NO. 600-102	REV <b>A</b>
------------------	---------------------	-----------------



**TRANSITION HARDWARE**

UNLESS OTHERWISE SPECIFIED:  
 ALL DIMENSIONS ARE IN INCHES[mm].  
 TOLERANCES:  
 FRACTIONAL: X/X ± 1/16" [1.6mm]  
 DECIMAL: .000 ± .0625  
 DEGREES: ± 0.5°



160 Avenida La Pata  
 San Clemente, CA 92673  
 (949) 361-5663  
 FAX (949) 361-9205  
 www.traffixdevices.com

TITLE:  
**COMPRESSOR EXPLODED  
 FOR PARTS OFFER TRANSITION  
 HARDWARE**

DRAWN BY:  
 Mary Dralle  
 CHECKED BY:  
 GM  
 APPROVED BY:  
 GM

DATE:  
 04-17-12  
 DATE:  
 04-17-12  
 DATE:  
 04-17-12

SIZE  
**B**

DWG. NO.  
 600-102

REV  
**A**

Item	PN	Description	Qty Req	U/M
1	55100	Compressor, Uni-Base Complete	1	EA
2	55547	Bolt, 5/8"-11 x 2-1/2 GR 8	4	EA
3	12062	Locknut, 5/8"-11, Zinc Plated	4	EA
4	60015	Bolt, Grd 5 HHCS Z/P 1/2"-13	6	EA
5	12075	Washer, High Strength 1/2"x 9/16" IDx1-3/8" OD, Z/F	12	EA
6	12024	Nut, Nylok, Z/P, 1/2"-13, Grd 5	6	EA
7	55046	Screw, Socket Cap, 1/2"-13 x 2" ZP	12	EA
9	55048	Nut, Nyloc 1/2"-13 GR 8 ZP	12	EA
10	55200	Module Thin Short Assy	2	EA
11	55300	Module Thin Tall Assy	1	EA
12	55400	Module Thick Tall Assy	3	EA
13	55024	Bolt, 3/4"-10 x 5" GR 8	1	EA
14	55025	Bolt, 3/4"-10 x 4-1/2" GR 8	3	EA
15	55026	Bolt, 3/4"-10 x 6" GR 8	6	EA
16	55027	Washer, 3/4" ID x 3" OD x 1/4"	28	EA
17	55039	Bolt, 3/4"-10 x 5-1/2" GR 8	4	EA
18	55028	Nut, Nyloc, 3/4"-10 GR 8 Compressor	14	EA
19	55160-1	Pin, Retaining, 3.875"	1	EA
20	55160-2	Pin, Retaining, 4.250"	2	EA
21	55160-3	Pin, Retaining, 3.500"	1	EA
22	55160-4	Pin, Retaining, 4.625"	2	EA
23	55029	Washer, 1/2" ID x 3" OD	12	EA
24	55030	Bolt, Button Head 1/2"-13 x 1"	12	EA
25	55510	Fender Panel Weldment, Side	8	EA
26	55516	Fender Panel Weldment, Front	2	EA
27	55530	Fender Panel Weldment, Rear	2	EA
28	55054	Bolt, 1/2"-13 x 3/4" GR 8,	20	EA
29	12075	Washer, High Strength 1/2"x 9/16" IDx1-3/8" OD, Z/F	20	EA
30	55135	Slider, Fender, Compressor	20	EA
31	55051	Bolt, 1in-8 x 3-3/16in Double	36	EA
32	55053	Washer, 1" ID x 2" OD x 1/4"	36	EA
33	12012	Nut, 1"-8 Nylon Insert Stop	36	EA
34	55550	Shoe, Front - Compressor	1	EA
35	55553	Shoe, Side Bearing - 1.876" x 7.969	2	EA
36	55554	Shoe, Upper Bearing - 5.563" x 7.969	1	EA
37a	55550	Plate, Reinforcing, Compressor	1	EA
37b	55159	Plate, Reinforcing, Compressor	5	EA
38	55158	Plate, Spacer, HDPE	1	EA
39	55191	Stiffing Rib, 28" x 36" x 1"	2	EA
41	55700A	Cover, Compressor Assembly	6	EA
42	55300-AV-Y4	Sheeting Set, Module Thin Tall	1	EA
43	55158-AV-Y4	Sheeting Set, Plate, Spacer	1	EA
44	55601	Transition Standing Brace	1	EA
45	55611	Transition Backstop Mounting	2	EA
46	55615	Transition Fender Panel	2	EA
47	55632	Cable Stops w/Turnbuckle	4	EA
48	55651	Screw, 3/8"-16 x 1-3/4", GR8	4	EA
49	12056	Nut, Nylok, 3/8"-16, Zinc Plated	4	EA
50	55652	Screw, 5/8"-11 x 3-1/2", GR8	2	EA
51	55031	Nut, Nylon, 5/8"-11 GR 8	2	EA
52	12007	Bolt, 3/4"-10x2-1/2", Grd 5	6	EA
54	12009	Washer YZ 43-49C 3/4", 0.82 ID x 1.46 OD x .20THK	6	EA
55	12060	Washer, Flat, 3/4"IDx2"OD	6	EA
56	12008	Nut 3/4"-10 Nylon Insert Stop	6	EA
57	12064	Bolt, 1/2"x2-1/2" Z/P HEX Head	6	EA
58	12075	Washer, High Strength 1/2"x 9/16" IDx1-3/8" OD, Z/F	6	EA
59	12060	Washer, Flat, 3/4"IDx2"OD	6	EA
60	12024	Nut, Nylok, Z/P, 1/2"-13, Grd 5	6	EA
*	55035	Swivel Hoist Ring, 3/4"	1	EA
*	55049	Anchor Shackle, 5/8" w/Safety	2	EA