

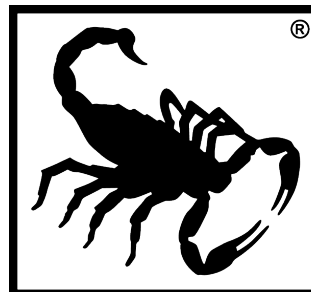
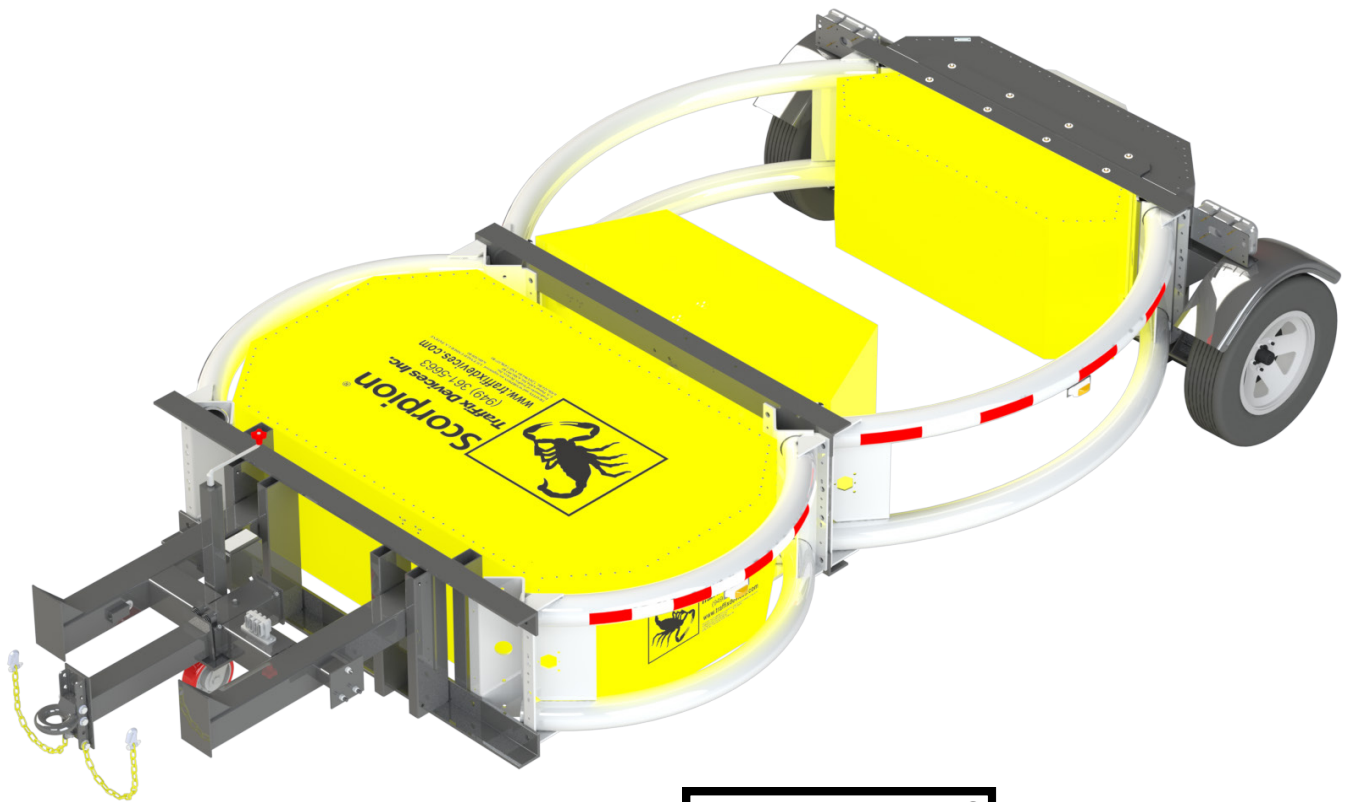
Replacement Parts Guide

For *TraFFix NCHRP Scorpion[®] TA*

**TraFFix
Devices Inc.**



Engineered Products for Safer Highways



**Scorpion[®]
TA**

*Trailer
Attenuator*

Replacement Parts Guide

For TraFix NCHRP Scorpion[®] Trailer Attenuator



This is the MASH symbol.



If your TA **has the MASH symbol on it,
you need the *MASH TA Replacement Parts Guide*.**

Do not use this guide! This guide is for NCHRP-350 parts only!

Please begin by reading
Overview and Orientation Information
on pages 4 and 5.

Table of Contents

Overview and Orientation	04
Section 1: NCHRP Scorpion® TA Parts	
Tubes	06
Energy-Absorbing Modules	08
Diaphragms and Angles	10
Section 2: Shared Parts (Compatible with MASH Scorpion II & NCHRP-350 Scorpion TAs.)	
Tongue and Jack	14
Energy-Absorbing Module A	16
Rear Top Angle	16
Visibility Lights	17
Tail Lights and Junction	18
Rear Wheels and Axle	20
Appendix A: Drawings & Hardware	
Cables, Wiring and Brakes	23
Tail Light Hardware Breakdown	24
Appendix B: Alternate Configurations	
Module A Sheeting	28

Overview & Orientation

Symbols and Meanings



- All MASH Scorpion II[®] TA compatible parts are shown with this logo.
 - Only parts with this MASH logo should be used with the MASH Scorpion II TA.
-



- All NCHRP-350 Scorpion[®] compatible parts are shown with this logo.
 - Only parts with this NCHRP-350 logo should be used with the NCHRP-350 Scorpion TA.
-

- Shared MASH and NCHRP-350 compatible parts are shown with both logos.
- These may be used with both the MASH Scorpion II & NCHRP-350 Scorpion TAs.



Overview & Orientation

TraFFix NCHRP Scorpion[®] Trailer Attenuator

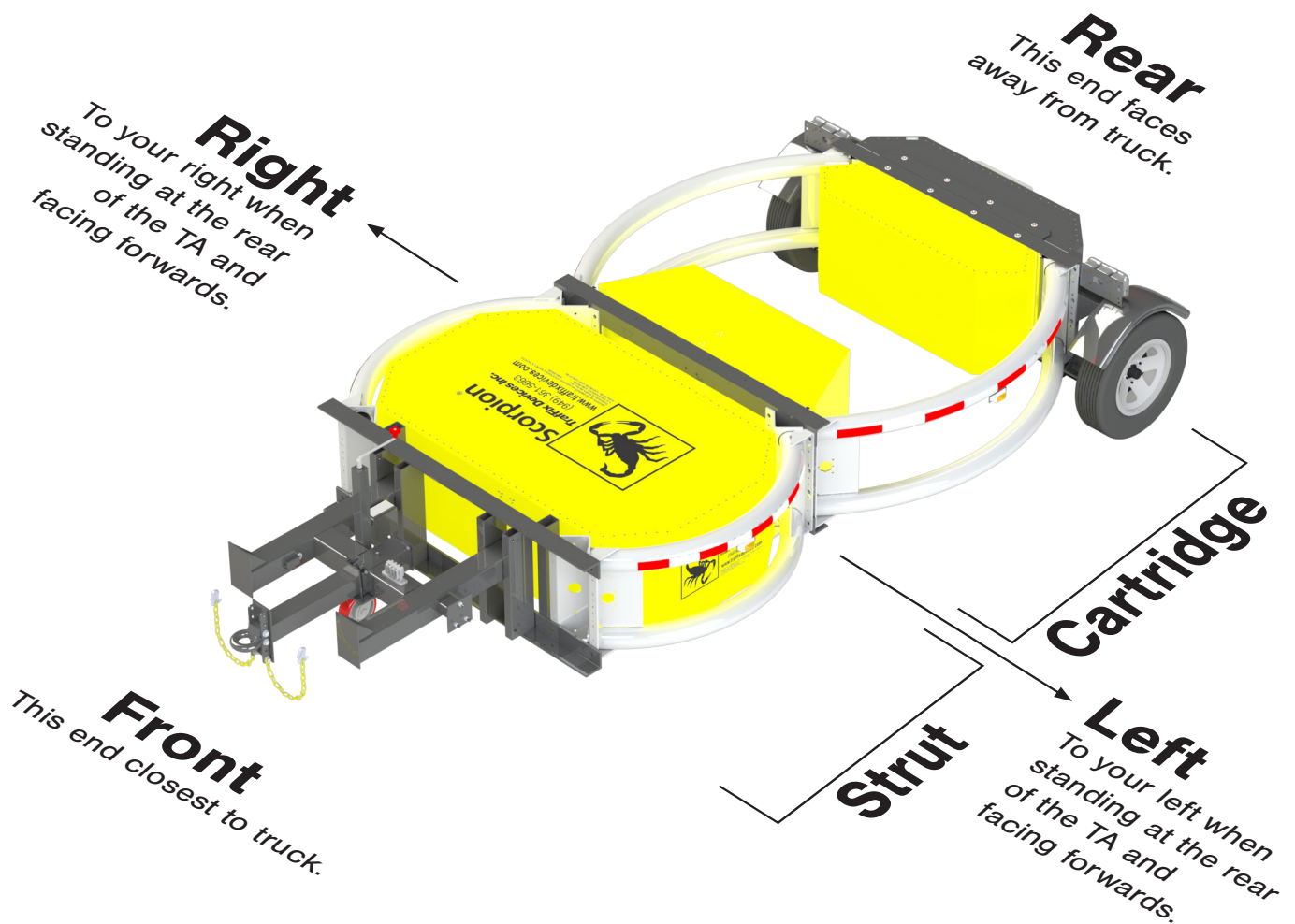


If your TA has the **MASH symbol** (shown right) on it,

you need the **MASH TA Replacement Parts Guide**.



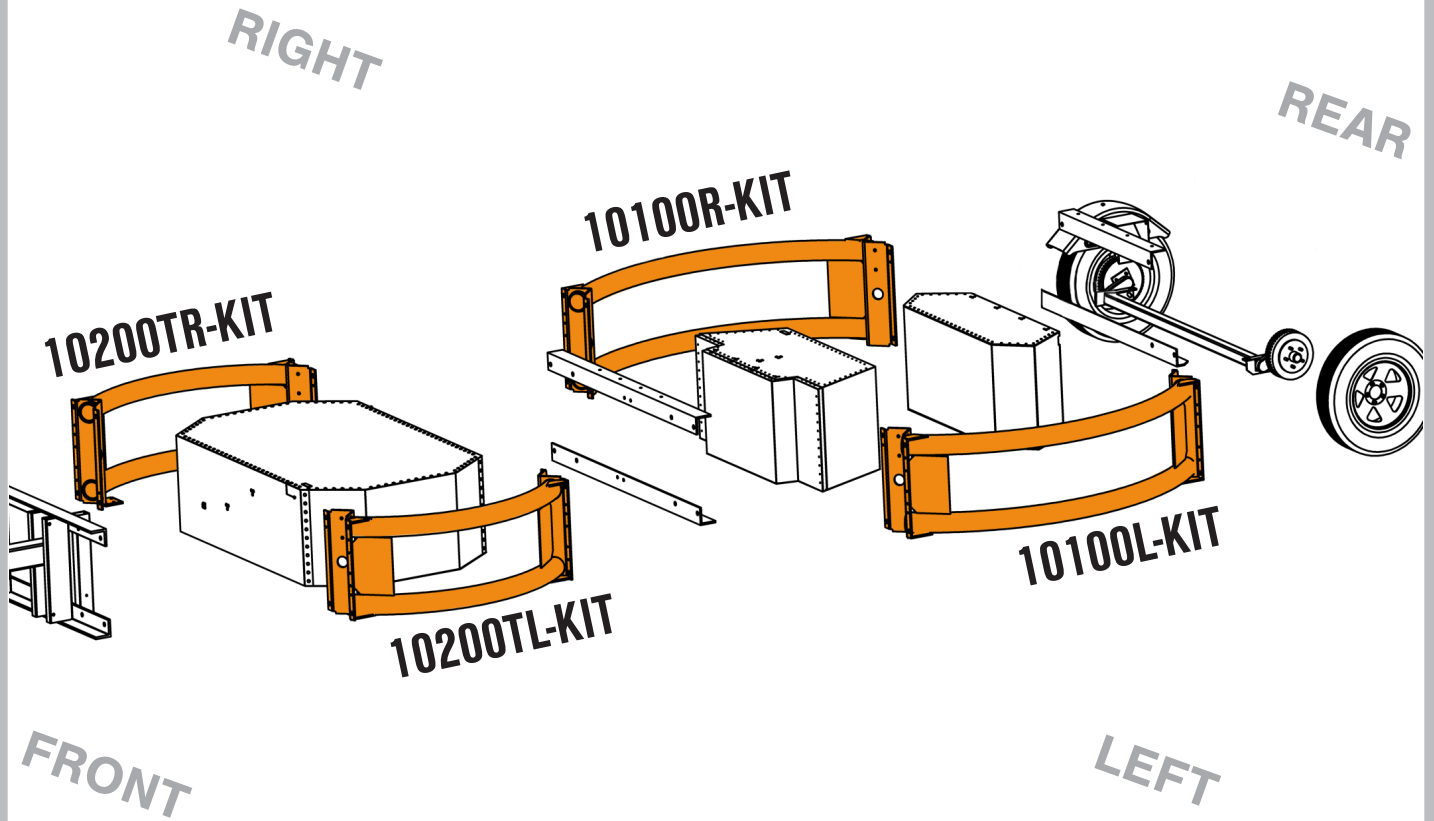
Do not use this guide! This guide is for NCHRP-350 parts only!



Replacement Tubes

For TraFFix NCHRP-350 Scorpion[®] TA Only

Tube Placement in NCHRP Scorpion TA



Components Removed for Clarity.

Replacement Tubes

For TraFiX NCHRP-350 Scorpion® TA Only

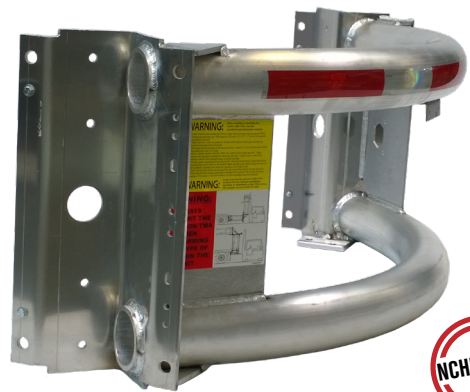
10200TL-KIT

NCHRP Strut Tube, Front Left



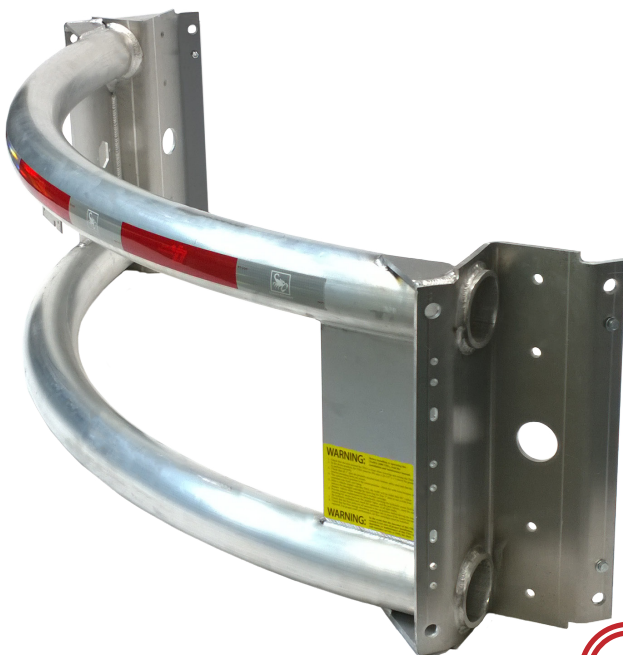
10200TR-KIT

NCHRP Strut Tube, Front Right



10100L-KIT

NCHRP Cartridge Tube, Rear Left



10100R-KIT

NCHRP Cartridge Tube, Rear Right

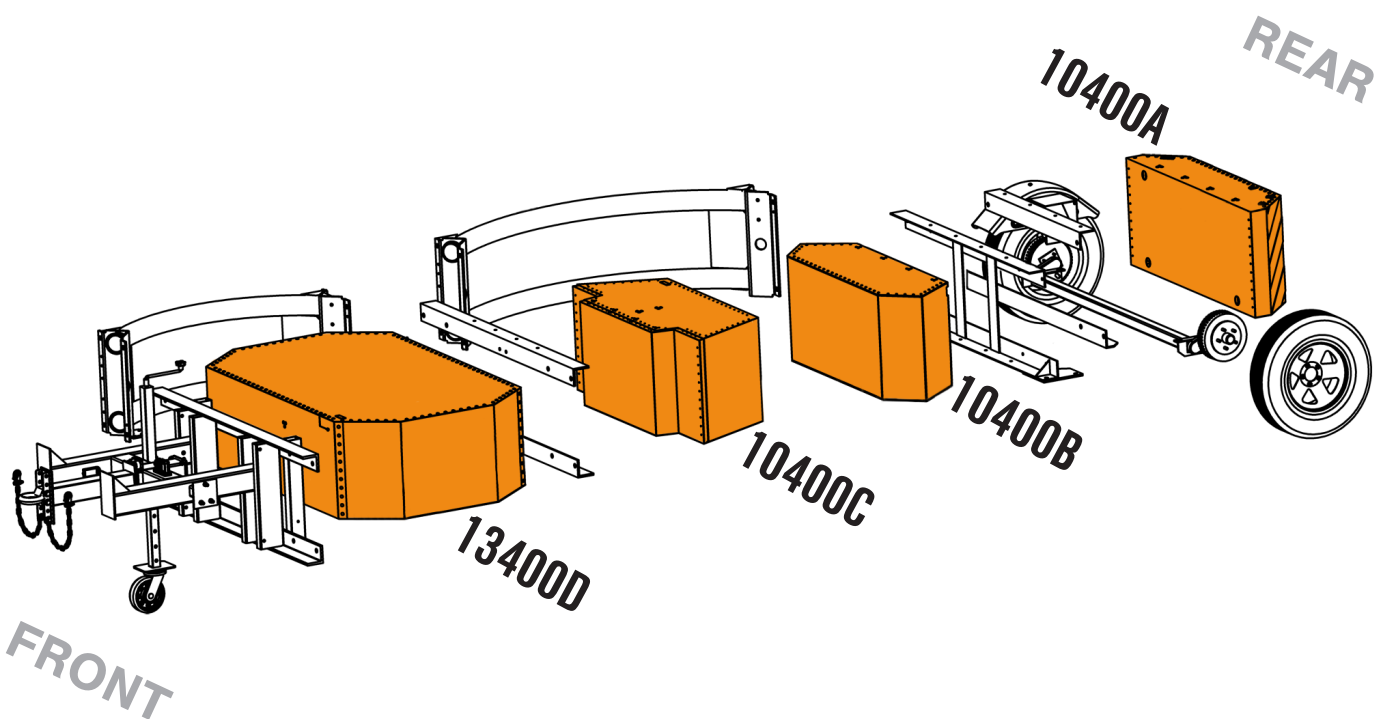


Energy-Absorbing Modules

(Including Hardware)

For TraFFix NCHRP-350 Scorpion® TA Only

Module Placement in NCHRP Scorpion TA



Components Removed for Clarity.





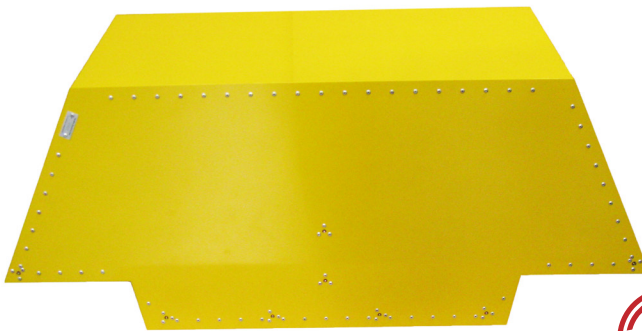
13400D

Module D

*Energy-Absorbing Module
Strut / Front*

Includes Scorpion Logo

NCHRP-350 Scorpion Only



10400C

Module C

*Energy-Absorbing Module
Front of Cartridge*

NCHRP-350 Scorpion Only



10400B

Module B

*Energy Absorbing Module
Rear of Cartridge*

NCHRP-350 Scorpion Only



10400A

Module A*

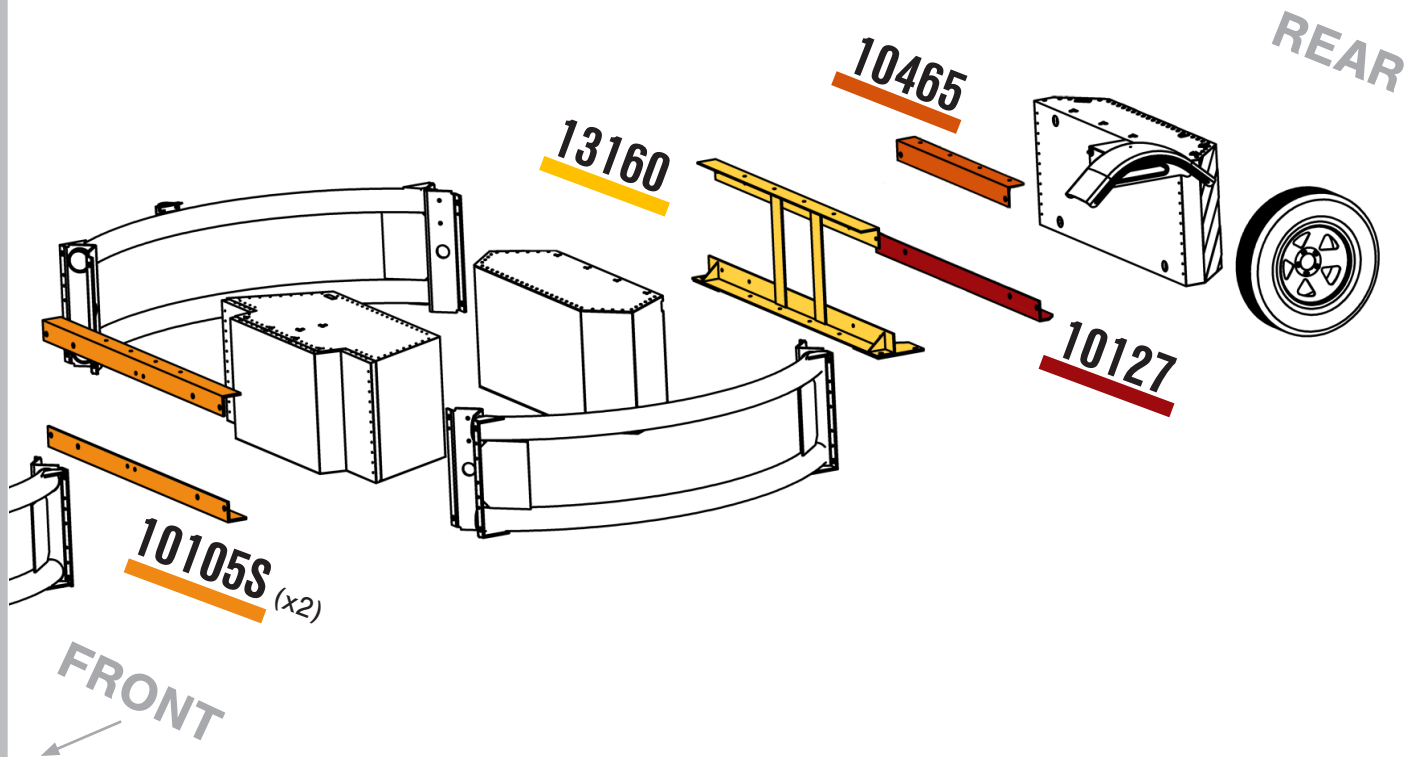
*Energy-Absorbing Module
Rear, 4" Yellow Sheeting*

** Module A, specifically, can be used in both MASH and NCHRP-350 Scorpion TAs*

Diaphragms and Angles

For TraFFix NCHRP Scorpion® TA

Placement in NCHRP Scorpion TA



Components Removed for Clarity.





10105S

Mid Diaphragm Angle

Between Strut & Cartridge

NCHRP-350 TA Only



13160

Rear Diaphragm

Cartridge Rear

NCHRP-350 TA Only



10127

Rear Bottom Angle

Cartridge Rear

NCHRP-350 TA Only



10465

Rear Top Angle*

Cartridge Rear

MASH and NCHRP-350

**The Rear Top Angle, specifically, can be used in both MASH and NCHRP-350 Scorpion TAs*

This page intentionally left blank.

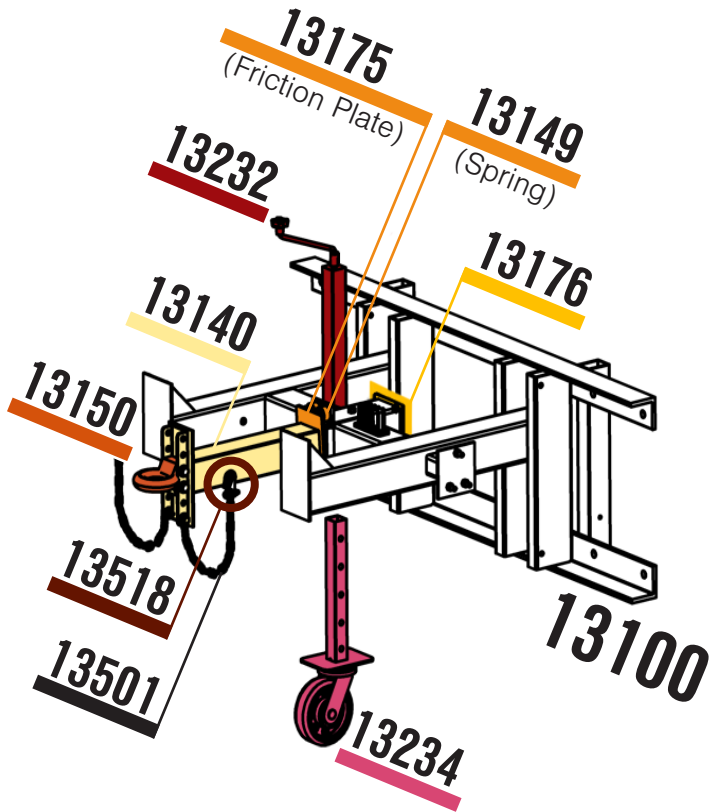
Section 2: Shared Parts

For MASH and NCHRP-350 Scorpion® TAs

Tongue and Jack

For MASH and NCHRP-350 Scorpion® TAs

Tongue and Jack Part Placement

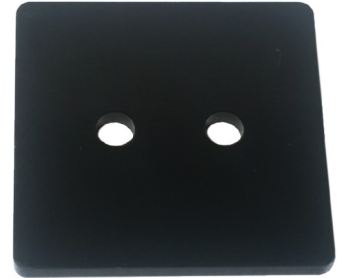


13176

Inner-TARS Tube Stop

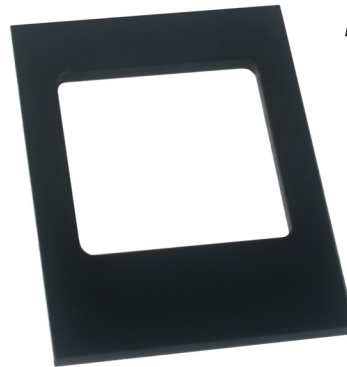


MASH V



13175

Friction
Brake
Plate



MASH V

13150

Lunette Eye



MASH V



13518

5/16" Hook



MASH V

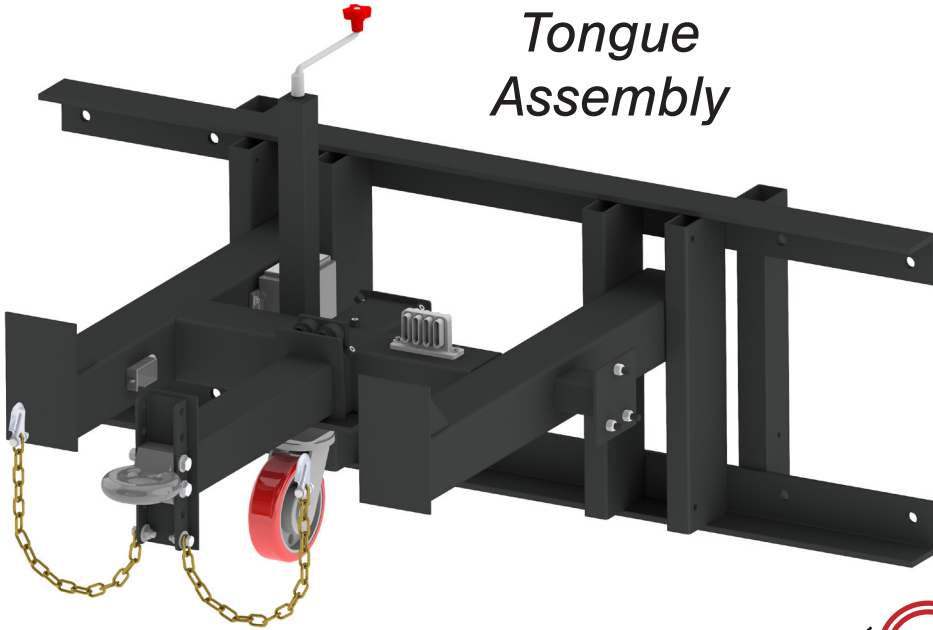


Tongue and Jack

For MASH and NCHRP-350 Scorpion® TAs

13100

Tongue Assembly



MASH ✓

NCHRP-350

13232

Jack, Mechanism



NCHRP-350

MASH ✓

13234

Jack, Inner Post & Caster



NCHRP-350

MASH ✓

13140

Inner-TARS Slide Tube



MASH ✓

NCHRP-350

13149

Friction Lock Spring

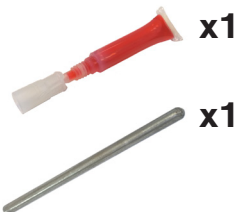


MASH ✓

NCHRP-350

Replacement Shear Pin Kit

13145-KIT



x1

x1



x4



x2

MASH ✓

NCHRP-350

13501

48" Chain

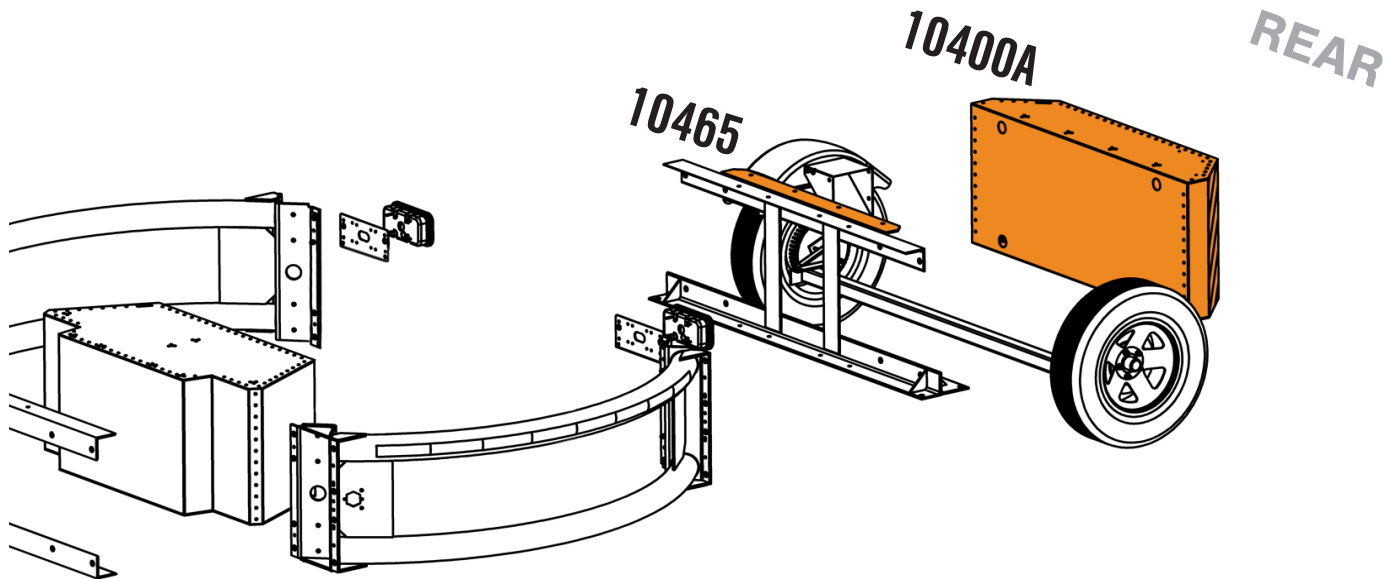


MASH ✓

NCHRP-350

Module A & Rear Top Angle

For MASH and NCHRP-350 Scorpion® TAs



Components Removed for Clarity.

10465

Rear Top Angle
MASH and NCHRP-350



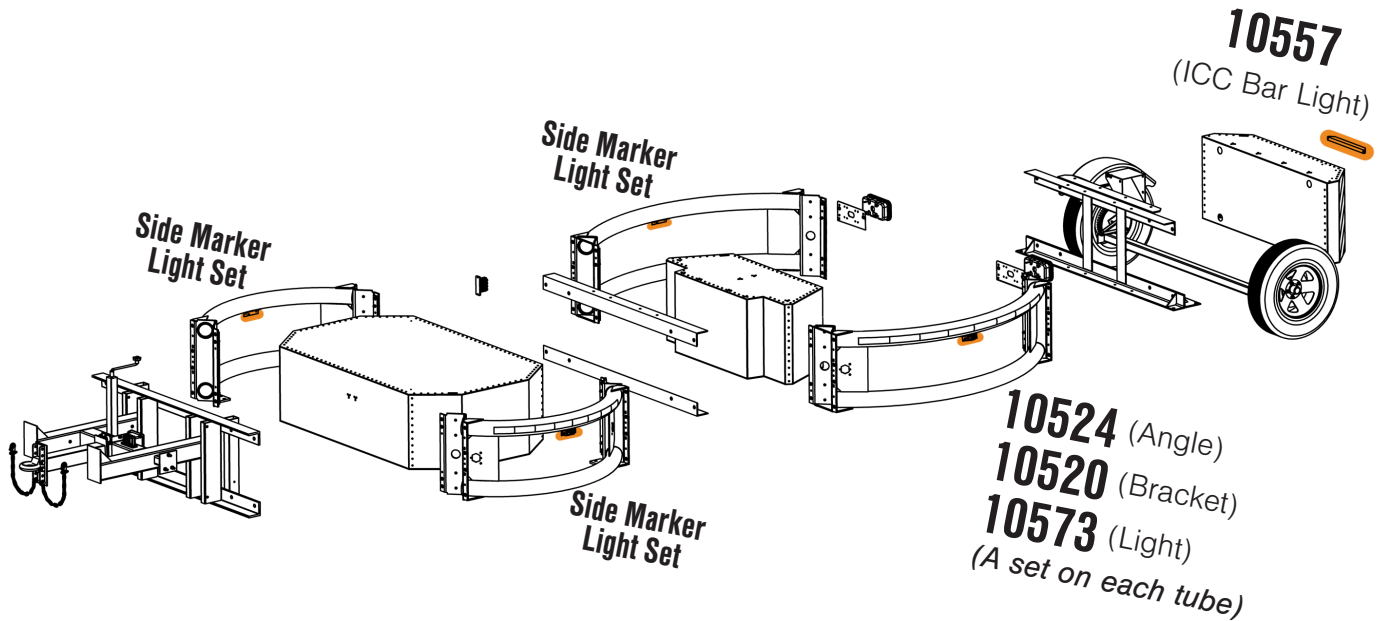
10400A

Module A
Energy absorbing Module
4" Yellow Sheeting
MASH and NCHRP-350



Visibility Lights

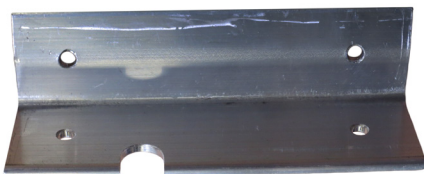
For MASH and NCHRP-350 Scorpion® TAs



Components Removed for Clarity.

10524

Angle, Side Marker Light



MASH ✓



10520

Bracket, Side Marker Light

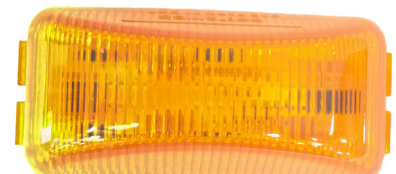


MASH ✓



10573

Side Marker Light, Amber LED, Multivolt



MASH ✓



10557

ICC Bar Light (Rear), LED, 12 Volt Only



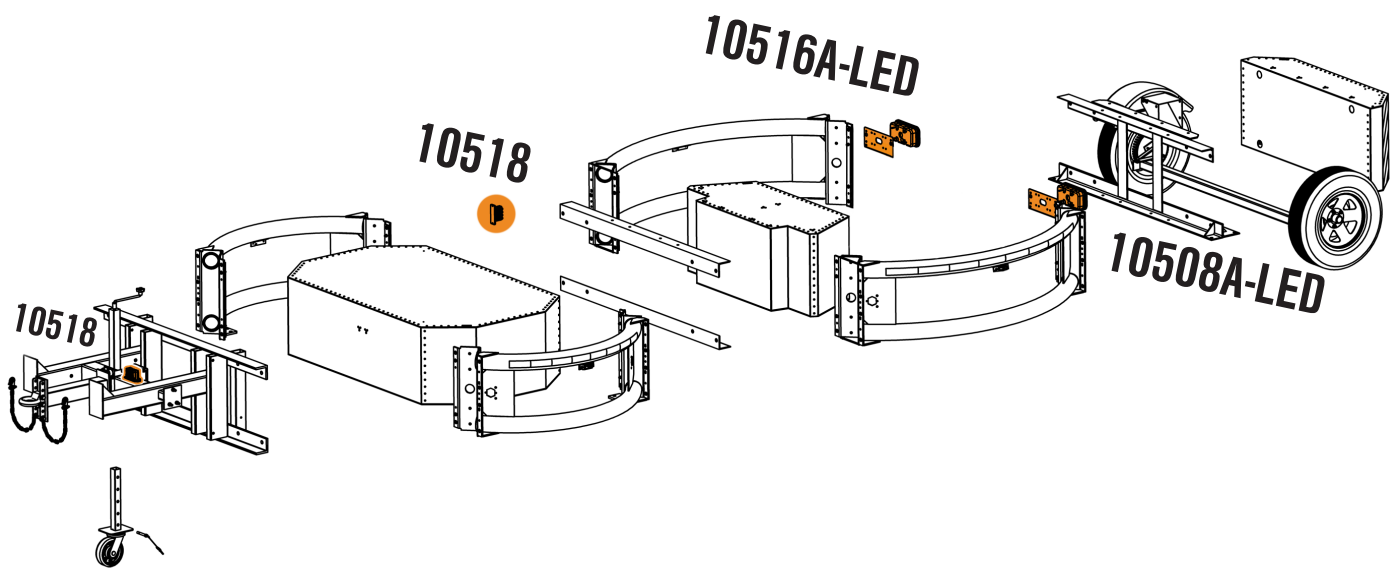
MASH ✓



Tail Lights and Junction

For MASH and NCHRP-350 Scorpion® TAs

Tail Light and Junction Placement



Components Removed for Clarity.

For cables, see
Light Wiring
on Page 23.

For *Tail*
Light Hardware,
see page 24.

Tail Lights and Junction

For MASH and NCHRP-350 Scorpion® TAs



10518
Junction Box



10508A-LED
Cartridge Tail Light
Rear Left



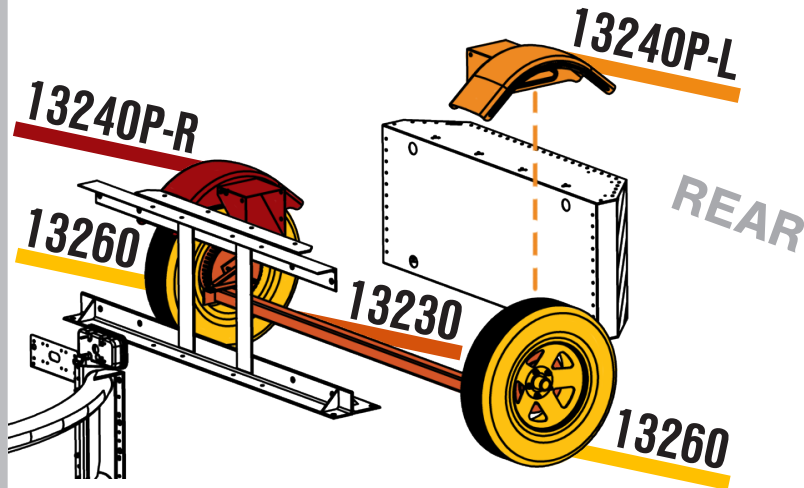
10516A-LED
Cartridge Tail Light
Rear Right



Rear Wheels and Axle

For MASH and NCHRP-350 Scorpion® TAs

Rear Wheels and Axle Placement



Components Removed for Clarity.

13260

Wheel + Tire
ST205/75D15
Left-Right Universal



MASH ✓



13240P-L

Left Fender



Includes
licence plate light.

MASH ✓



13240P-R

Right Fender



MASH ✓



13230

Axle



MASH ✓



Includes lug nuts.

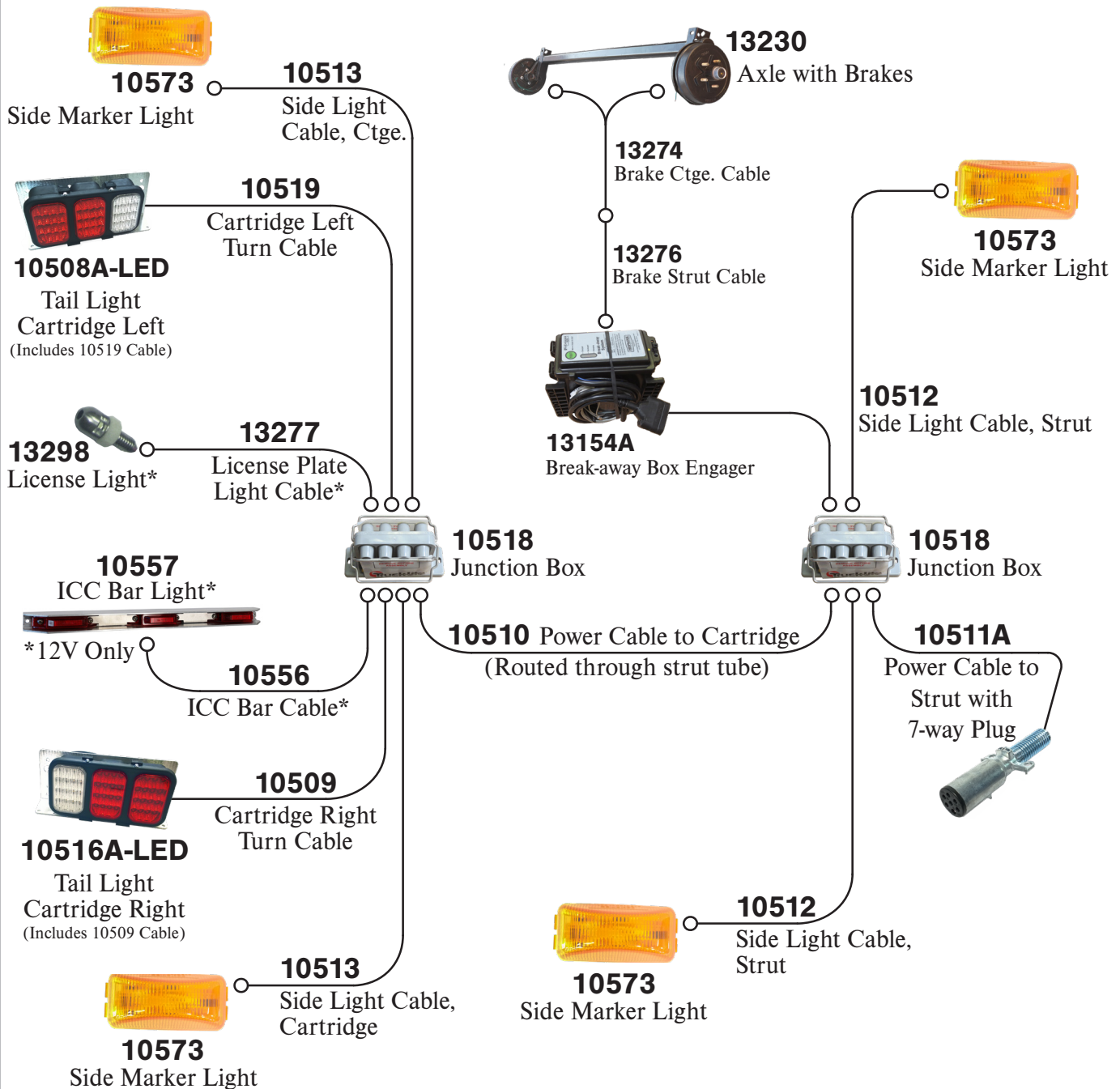
This page intentionally left blank.

Appendix A

Drawings & Hardware

Electric Wiring

For MASH and NCHRP-350 Scorpion® TAs



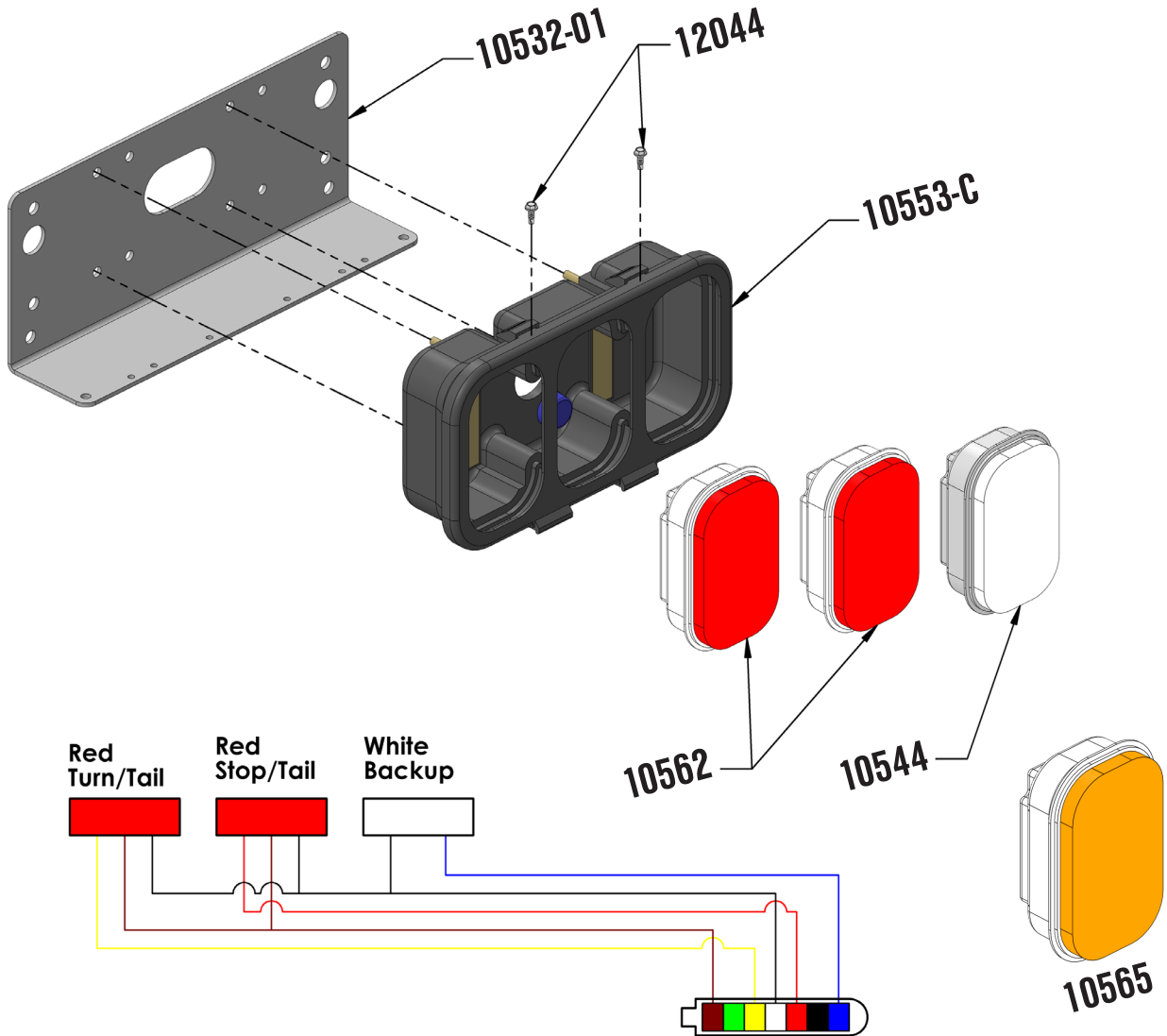
All parts on this page



	White	Ground
	Black	Open Circuit
	Yellow	Left Turn
	Red	Stop
	Green	Right Turn
	Brown	Running/Clearence
	Blue	Reverse

Left Tail Light Hardware 10508A-LED

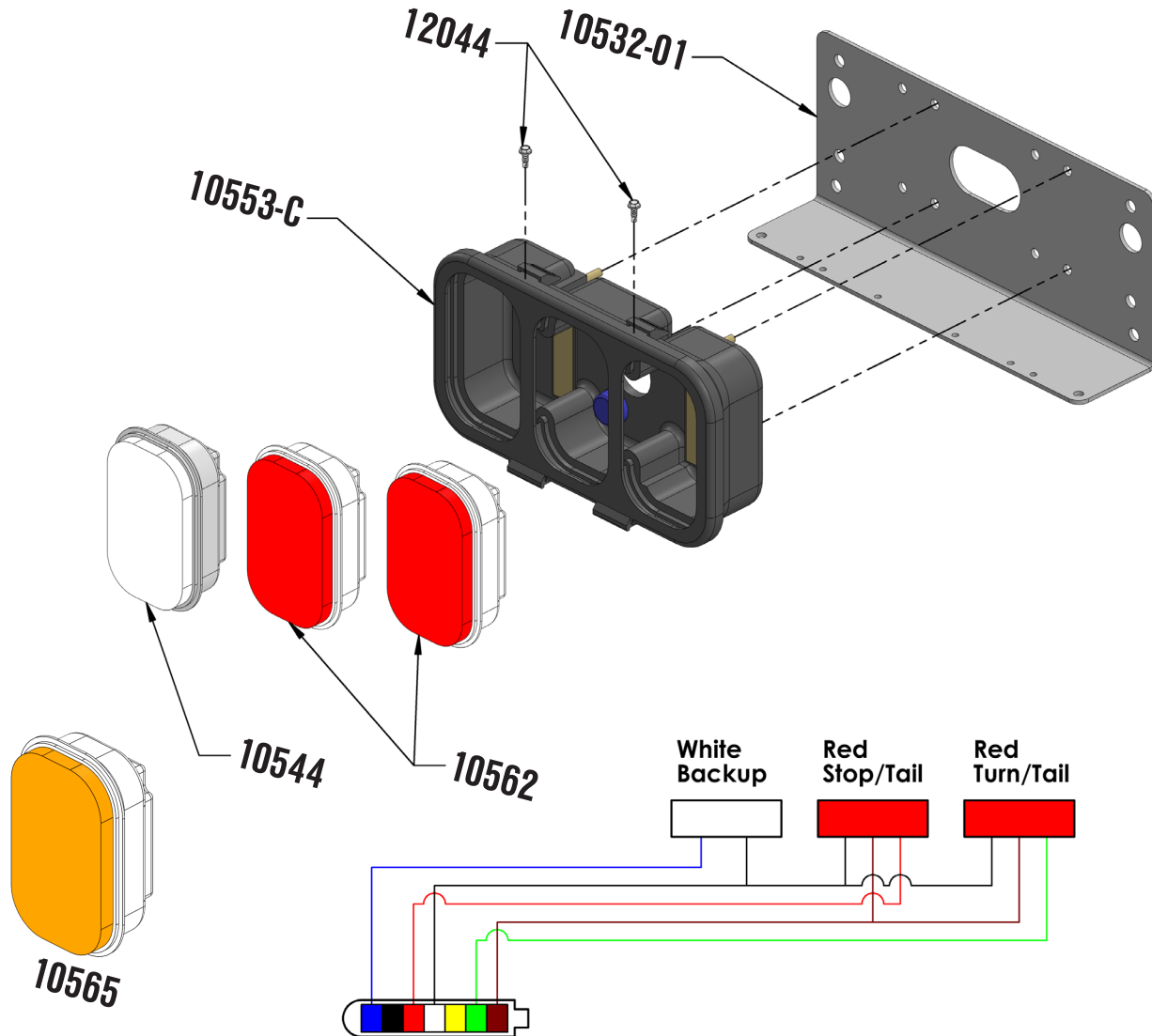
For MASH and NCHRP-350 Scorpion® TAs



Part No.	Description	Qty
10532-01	Bracket, Universal	1
10553-C	Light Housing, Rubber	1
10562	LED Light, Red, Stop-Turn-Tail	2
10544	LED Light, White, Backup	1
10565	LED Light, Yellow, Turn	0
10519	Cartridge Tail Light Cable, Left, 120 Inch	1
12044	Screw, #8 x 1/2", Self Drilling, Hex Head	2

Right Tail Light Hardware 10516A-LED

For MASH and NCHRP-350 Scorpion® TAs



Part No.	Description	Qty
10532-01	Bracket, Universal	1
10553-C	Light Housing, Rubber	1
10562	LED Light, Red, Stop-Turn -Tail	2
10544	LED Light, White, Backup	1
10565	LED Light, Yellow, Turn	0
10509	Cartridge Tail Light Cable, Right, 120 Inch	1
12044	Screw, #8 x 1 / 2", Self Drilling, Hex Head	2

This page intentionally left blank.

Appendix B

Alternate Configurations

Reflective Sheeting

Includes Module A with One Color of Reflective Sheeting

10400A

4" Yellow Sheeting on Black Module
Avery MVP Sheeting



10400A-B1AV-6Y

6" Yellow Sheeting on Black Module
Avery Hi-Intensity Prismatic Sheeting



10400A-B1DG-6O

6" Orange Sheeting on Black Module
3M Diamond Grade Sheeting



10400A-B1DG-8O

8" Orange Sheeting on Black Module
3M Diamond Grade Sheeting



10400A-W1AV-6R

6" Red Sheeting on White Module-Front
Avery Hi-Intensity Prismatic Sheeting



10400A-W1DG-4O

4" Orange Sheeting on White Module-Front
3M Diamond Grade Sheeting



One Color: Foreground color is reflective sheeting, non-reflective module as background color.

Reflective Sheeting

Includes Module A with Two Colors of Reflective Sheeting

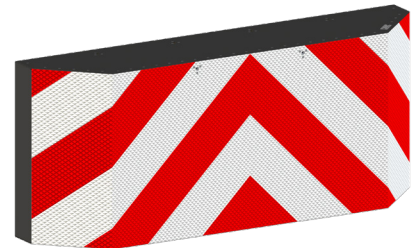
10400A-B1HI-6OW

6" Orange and White Sheeting
3M Hi-Intensity Prismatic Sheeting



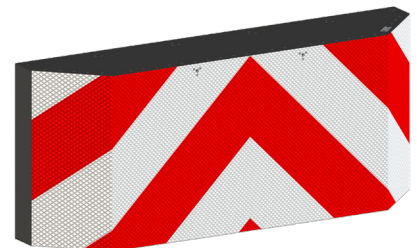
10400A-B1AV-6RW

6" Red and White Sheeting
Avery Hi-Intensity Prismatic Sheeting



10400A-B1AV-8RW

8" Red and White Sheeting
Avery Hi-Intensity Prismatic Sheeting



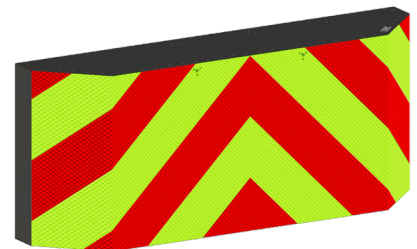
10400A-B1AV-6RY

6" Red and Yellow Sheeting
Avery Hi-Intensity Prismatic Sheeting



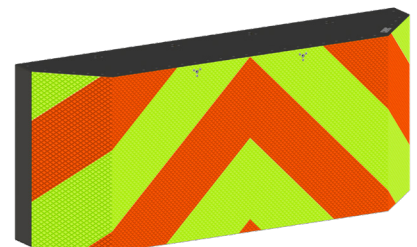
10400A-B1OR-6RL

6" Red and Lime Sheeting
Oralite V98 Sheeting



10400A-B1DG-8OL

8" Orange and Lime Sheeting
3M Diamond Grade Sheeting



Two Colors: Foreground and background sheeting colors are both reflective.

**TraFFix
Devices Inc.**



Engineered Products for Safer Highways

ScorpionHelp@traffixdevices.com

(949) 361-5663

© 2023 TraFFix Devices