

Replacement Parts Guide

For TraFix MASH Scorpion II® TMA

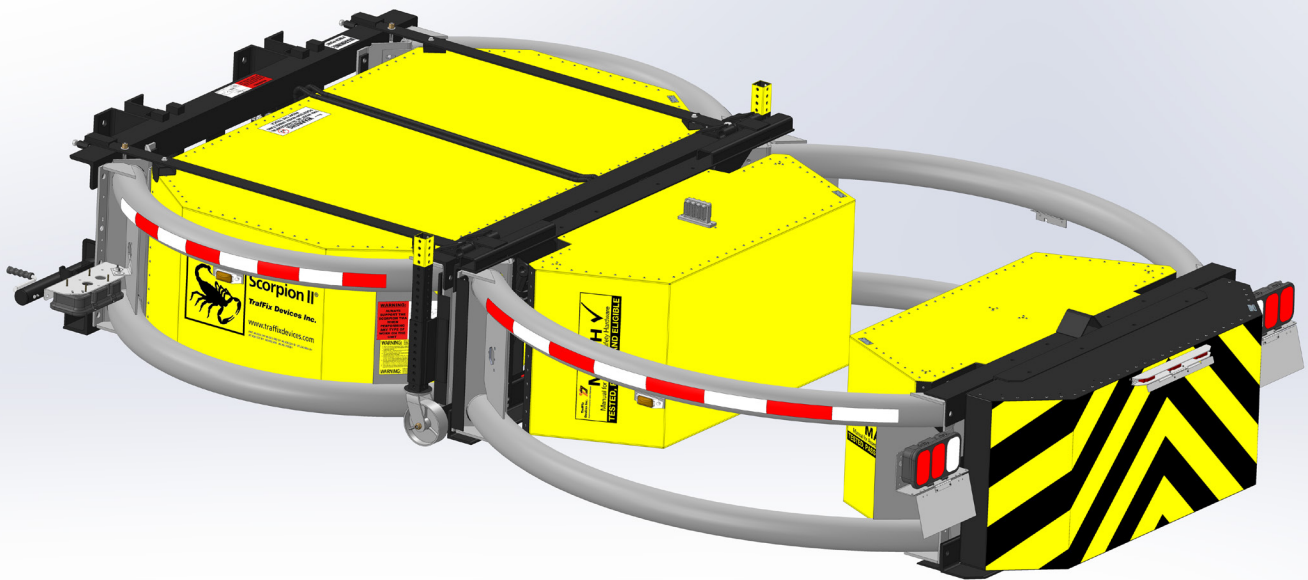
**TraFix
Devices Inc.**
Engineered Products for Safer Highways



MASH ✓[®]

Manual for Assessing Safety Hardware

TESTED, PASSED AND ELIGIBLE



**Scorpion II[®]
TMA**

*Truck Mounted
Attenuator*

Replacement Parts Guide

For TraFix MASH Scorpion II[®] TMA



This is the MASH symbol.



If your TMA **does not have** MASH symbol on it,
you need the *NCHRP-350 TMA Replacement Parts Guide*.
Do not use this guide! This guide is for MASH parts only!

Please begin by reading
Overview and Orientation Information
on pages 4 and 5.

Table of Contents

Overview and Orientation	04
Section 1: MASH Scorpion II® TMA Parts	
Strut and Cartridge Section Replacements	06
Tubes	08
Energy-Absorbing Modules.....	10
Diaphragms and Bottom Angle.....	12
Cylinders (and assoc. hardware)	14
Lockout Arm	18
Hydraulic Hose Kit.....	19
Section 2: Shared Parts (Compatible with MASH Scorpion II & NCHRP-350 Scorpion TMAs.)	
Energy-Absorbing Module A & Backup Frame	22
Visibility Lights	23
Tail Lights and Junction.....	24
Jacks	26
Misc. Components.....	28
Motor and Electronics.....	30
Appendix A: Wiring & Hardware	
Power Connection and Quick Connect	34
Motor Wiring.....	36
Light Wiring	37
Routing	38
Tail Light Hardware Breakdown.....	40
Supports and Hardware.....	44
MASH Lockout Arm Hardware Breakdown.....	48
Hydraulic Seal Kits	50
Appendix B: Alternate Configurations	
Tail Lights	53
Module A Sheeting	54
Appendix C: Mounting	
Mounting Options (Standard vs. Fast-Trak).....	57
Fast-Trak.....	58
Low Profile Fast-Trak.....	60
Fast-Trak Hardware	61

Overview & Orientation

Symbols and Meanings



- All MASH Scorpion II[®] TMA compatible parts are shown with this logo.
 - Only parts with this MASH logo should be used with the MASH Scorpion II TMA.
-



- All NCHRP-350 Scorpion[®] compatible parts are shown with this logo.
 - Only parts with this NCHRP-350 logo should be used with the NCHRP-350 Scorpion TMA.
-

- Shared MASH and NCHRP-350 compatible parts are shown with both logos.
- These may be used with both the MASH Scorpion II & NCHRP-350 Scorpion TMAs.



Overview & Orientation

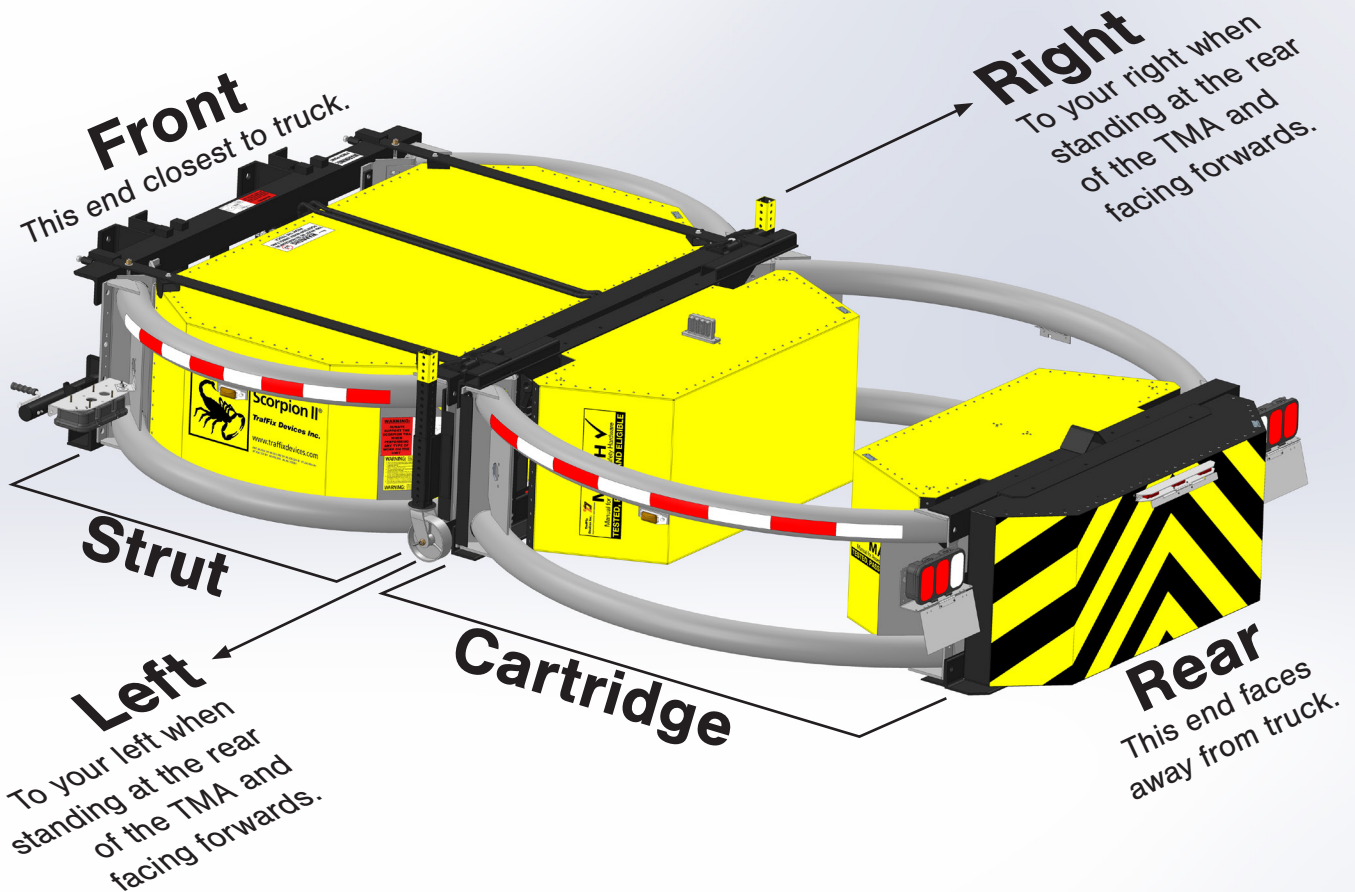
TraFFix MASH Scorpion II® Truck Mounted Attenuator



If your TMA **does not have** the MASH symbol (shown right), you need the *NCHRP-350 TMA Replacement Parts Guide*.



Do not use this guide! This guide is for MASH parts only!

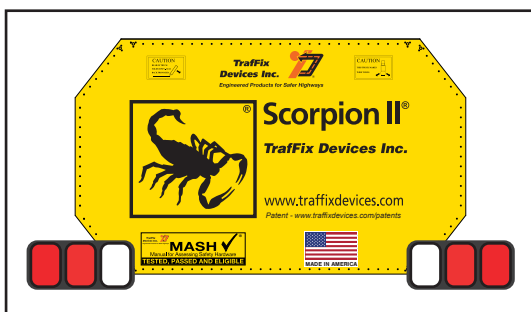
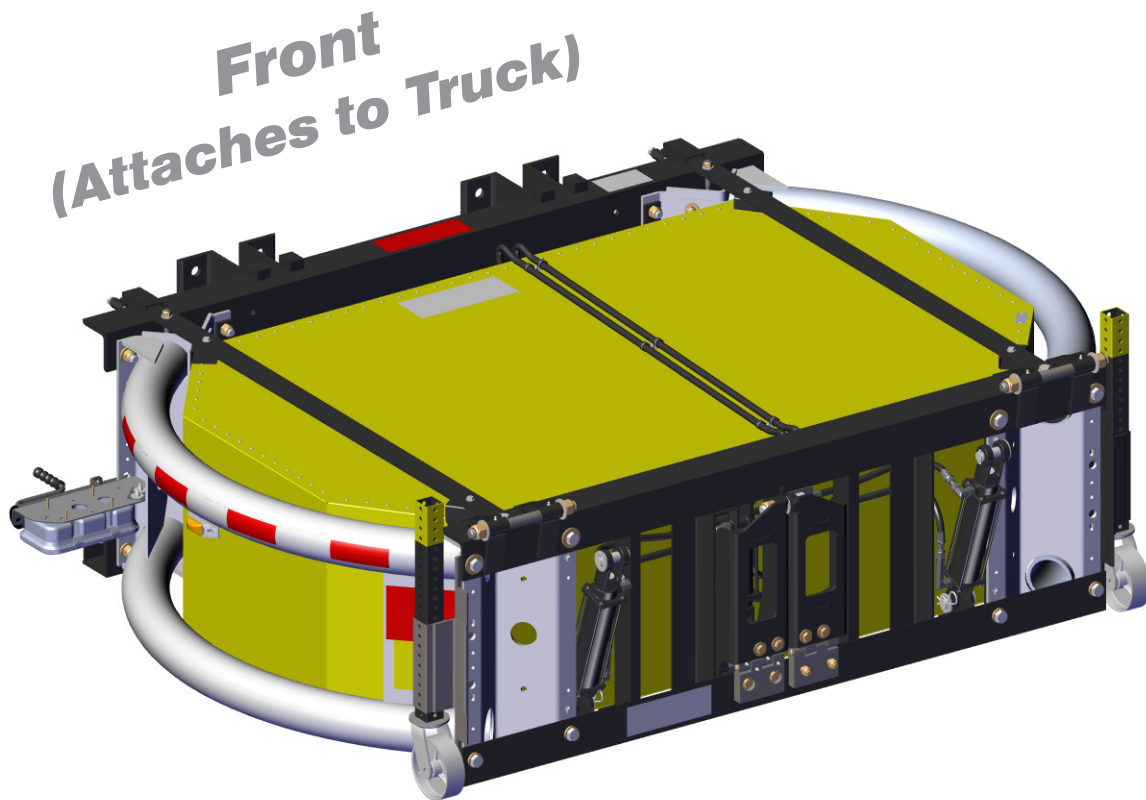


Section Replacements

For TraFFix MASH Scorpion II® TMA Only

10002M

Strut Replacement Kit



Includes Standard Printing and Lights on Bottom

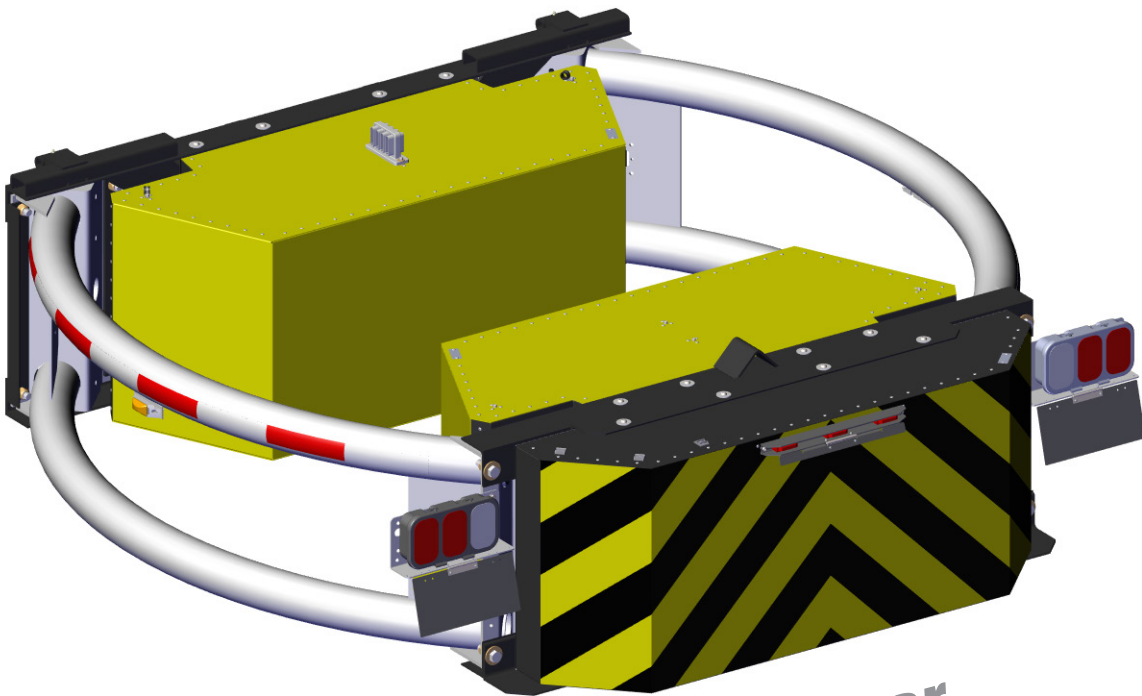


Section Replacements

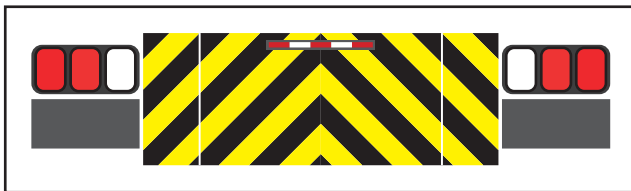
For TraFFix MASH Scorpion II® TMA Only

10001M

Cartridge Replacement Kit



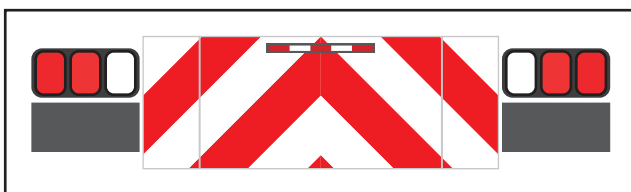
Rear
(Away from Truck)



Includes Standard 4" Yellow Sheeting and RRW Tail Lights

10001M-RW8

Red and White Cartridge Replacement Kit



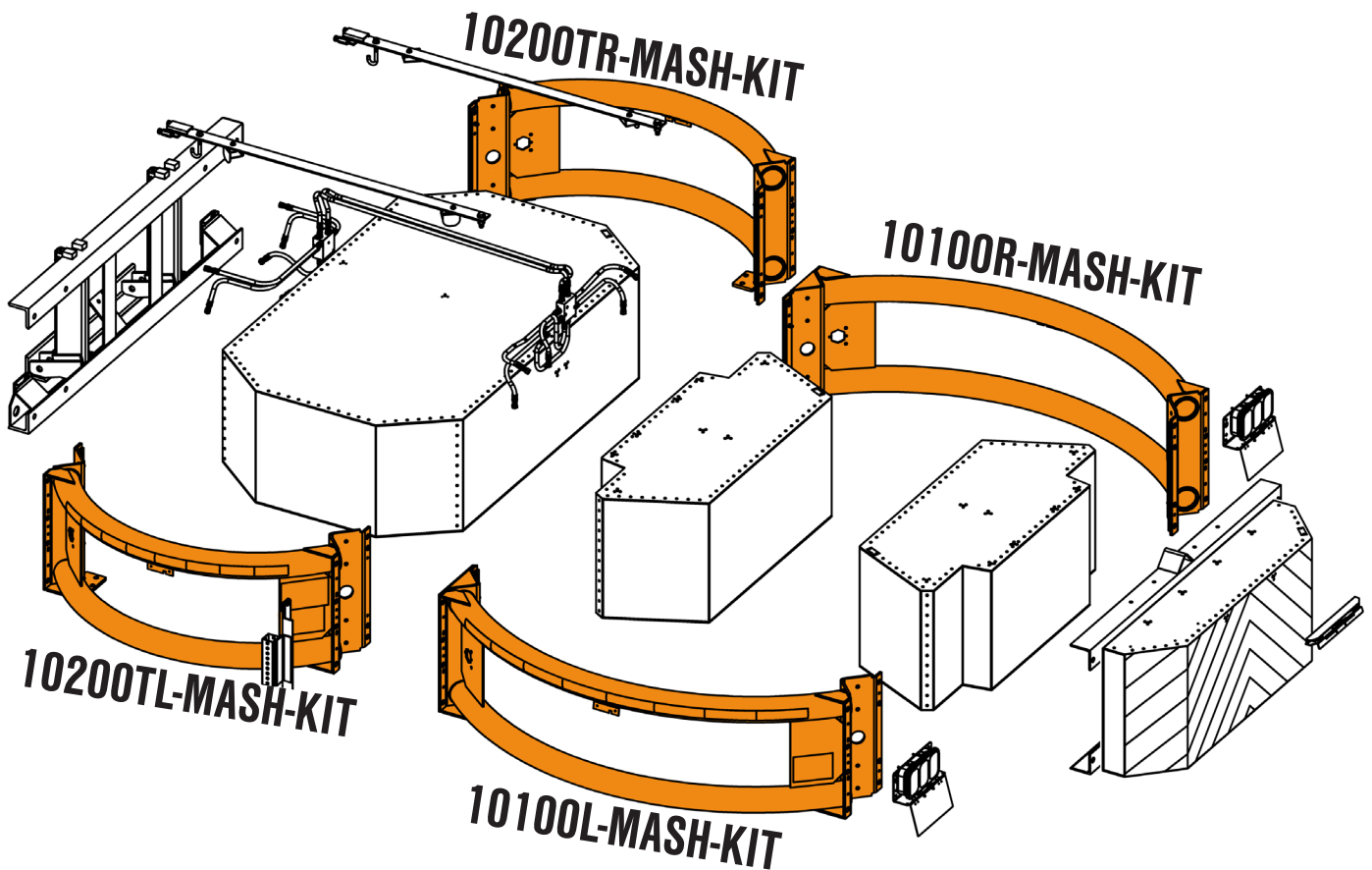
Includes 8" Red and White Sheeting and RRW Tail Lights



Replacement Tubes

For TraFFix MASH Scorpion II® TMA Only

Tube Placement in MASH Scorpion II



Components Removed for Clarity.



Replacement Tubes

For TraFFix MASH Scorpion II® TMA Only

10200TL-MASH-KIT

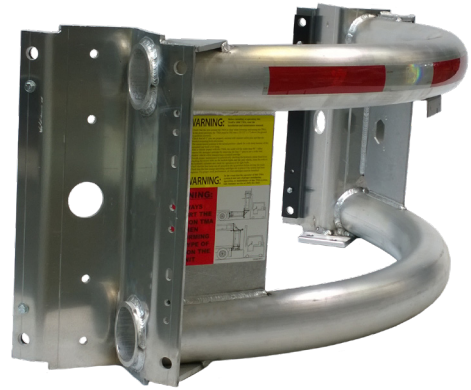
MASH Strut Tube, Front Left



MASH ✓

10200TR-MASH-KIT

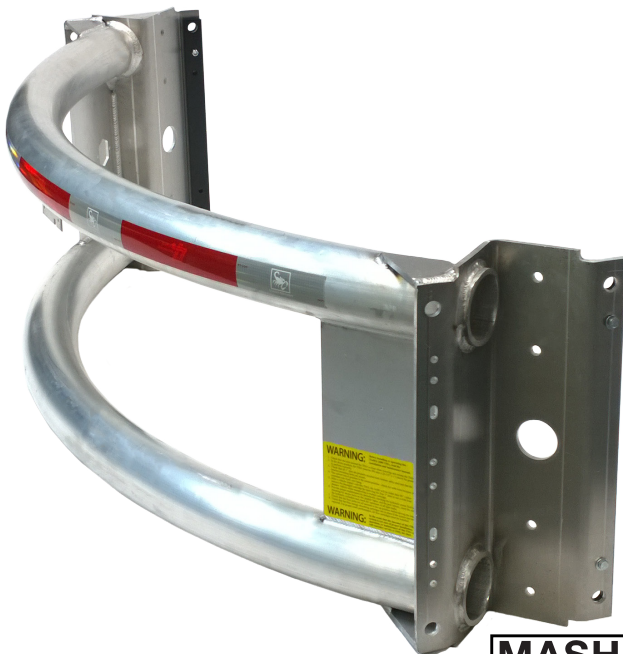
MASH Strut Tube, Front Right



MASH ✓

10100L-MASH-KIT

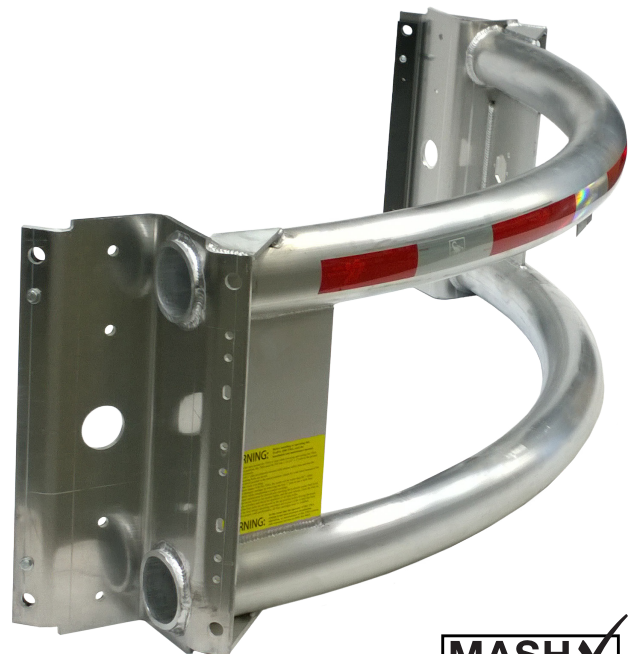
MASH Cartridge Tube, Rear Left



MASH ✓

10100R-MASH-KIT

MASH Cartridge Tube, Rear Right

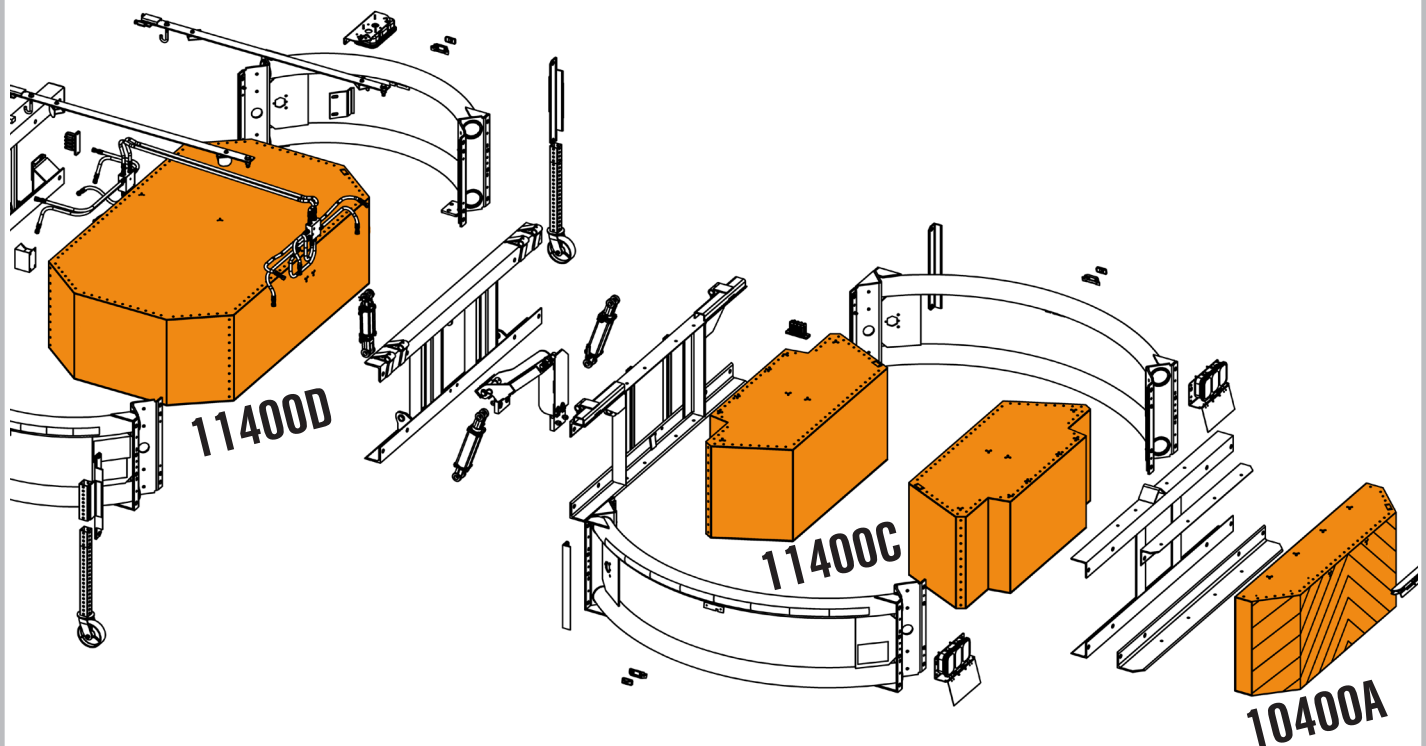


MASH ✓

Energy-Absorbing Modules

For TraFFix MASH Scorpion II® TMA

Module Placement in MASH Scorpion II TMA



Components Removed for Clarity.



Energy-Absorbing Modules

For TraFFix MASH Scorpion II® TMA

Hardware Included with all Modules



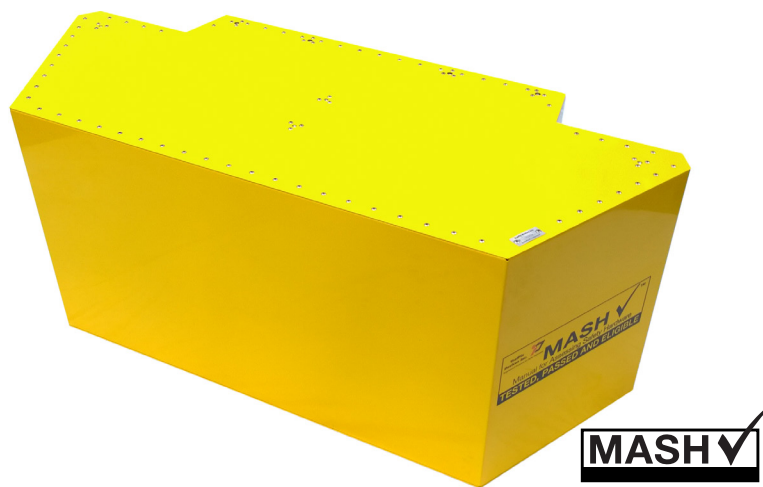
11400D

Module D

Energy-Absorbing Module

Includes Scorpion Logo

MASH Scorpion II Only



11400C

Module C

Energy absorbing Module

MASH Scorpion II Only



10400A

Module A*

Energy absorbing Module

4" Yellow Sheeting

MASH and NCHRP-350

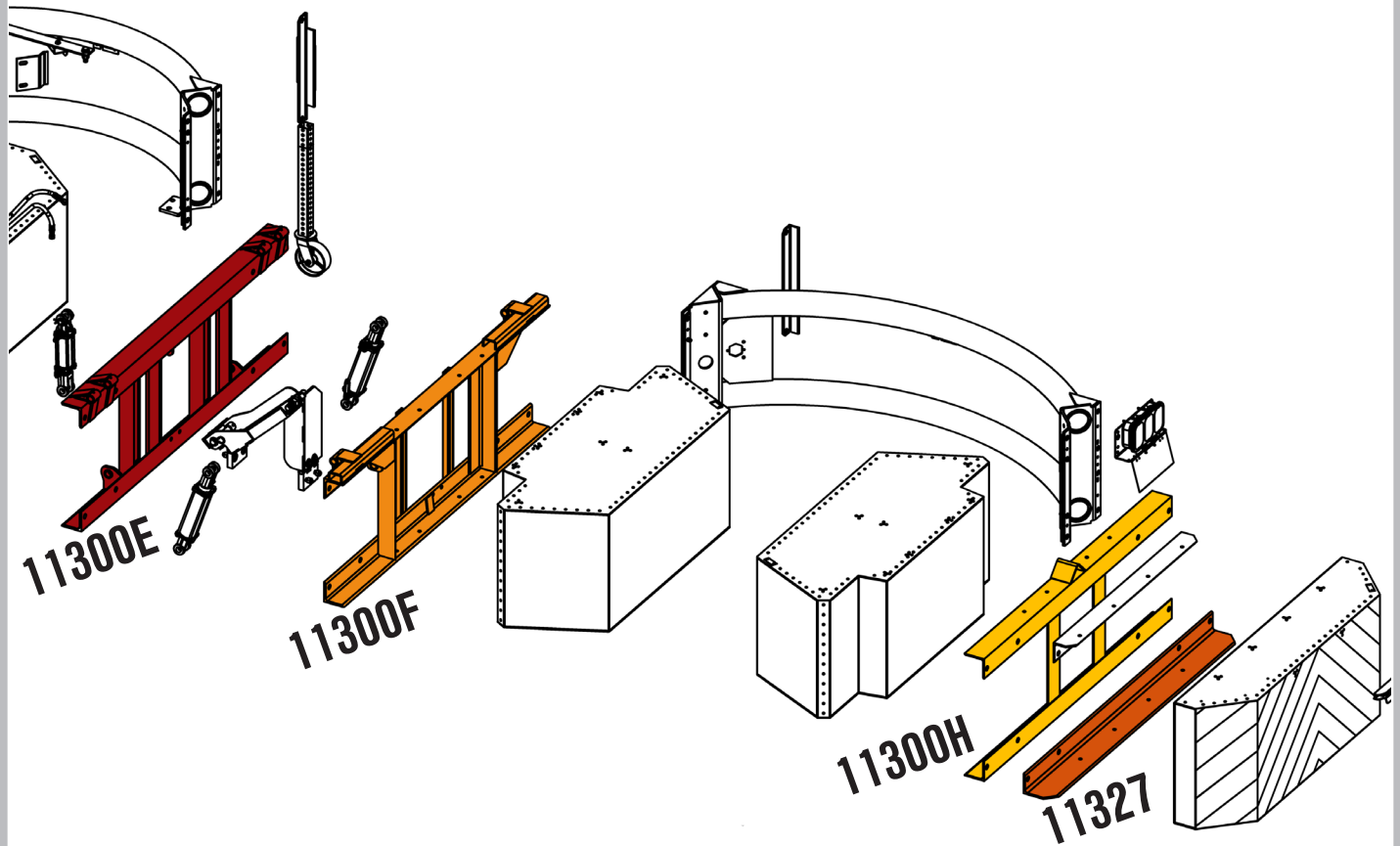


** Module A, specifically, can be used in both MASH and NCHRP-350 Scorpion TMAs*

Diaphragms and Bottom Angle

For TrafFix MASH Scorpion II® TMA Only

Placement in MASH Scorpion II TMA



Components Removed for Clarity.





11300E

Diaphragm

Strut Rear

MASH Scorpion II TMA Only



11300F

Diaphragm

Cartridge Front

MASH Scorpion II TMA Only



11300H

Diaphragm

Cartridge Rear

MASH Scorpion II TMA Only



11327

Bottom Angle

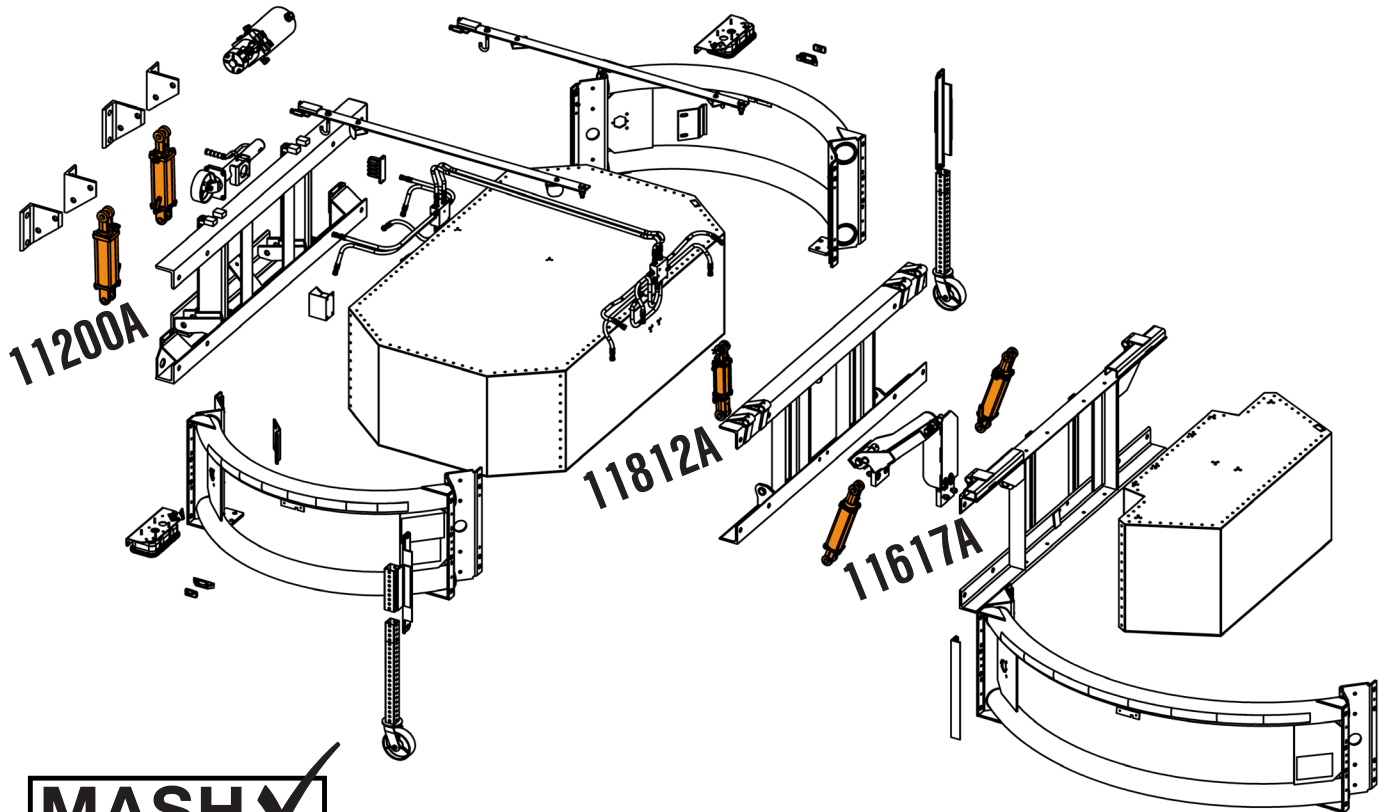
Cartridge Rear

MASH Scorpion II TMA Only

Replacement Cylinders

For TrafFix MASH Scorpion II® TMA Only

Cylinder Placement in MASH Scorpion II TMA



Components Removed for Clarity.

11200A

Strut Cylinder, 3"



Page 15

11617A

Strut to Cartridge Cylinder, 2.5"



Page 16

11812A

Lockout Arm Cylinder, 2"



Page 17

11200A

Strut Cylinder - 3"

For MASH Scorpion II TMA Only



10663
90° Fitting

10661
Velocity Fuse

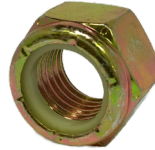
10662
90° Fitting



Hardware for 11200A

Not Included

Must be ordered separately



12012
Locknut



12011
Bolt, 5-1/2"



10640-01
Seal Kit, TH, 3"

12017
Hairpin



12015-6.0
Clevis Pin, 6"

11617A

Strut to Cartridge Cylinder - 2.5"

For MASH Scorpion II TMA Only



10663
90° Fitting

10661
Velocity Fuse

10662
90° Fitting



Hardware for 11617A

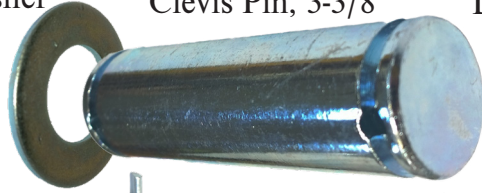
Not Included

Must be ordered separately

12001
Washer

12015-3.375
Clevis Pin, 3-3/8"

12035
Locknut



12033-01
Cotter Pin, Zn

12393-ZU5-1.25
Bolt, 10-32 x 1.25"



10639-01
Seal Kit, TH, 2.5"

12033-01
Cotter Pin, Zn



12017
Hairpin

12001
Washer

12015-3.375
Clevis Pin, 3-3/8"



11812A

Lockout Arm Cylinder - 2"

For MASH Scorpion II TMA Only



10663
90° Fitting

10663
90° Fitting



Hardware for 11812A

Not Included

Must be ordered separately

12001
Washer

12015-3.375
Clevis Pin, 3-3/8"

12035
Locknut



12033-01
Cotter Pin, Zn

12393-ZU5-1.25
Bolt, 10-32 x 1.25"



10638-01
Seal Kit, TH, 2"

12393-ZU5-1.25
Bolt, 10-32 x 1.25"



12035
Locknut, 10-32

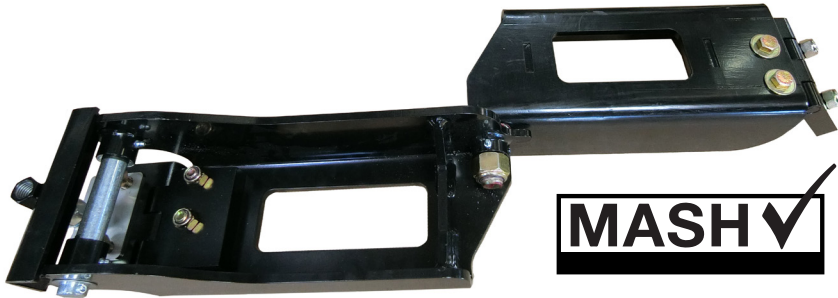
12143
Clevis Pin, 7"

Lockout Arm

For TraFFix MASH Scorpion II® TMA Only

11800

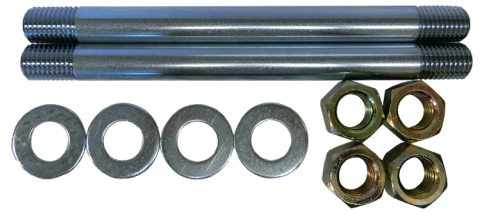
Lockout Arm Assembly



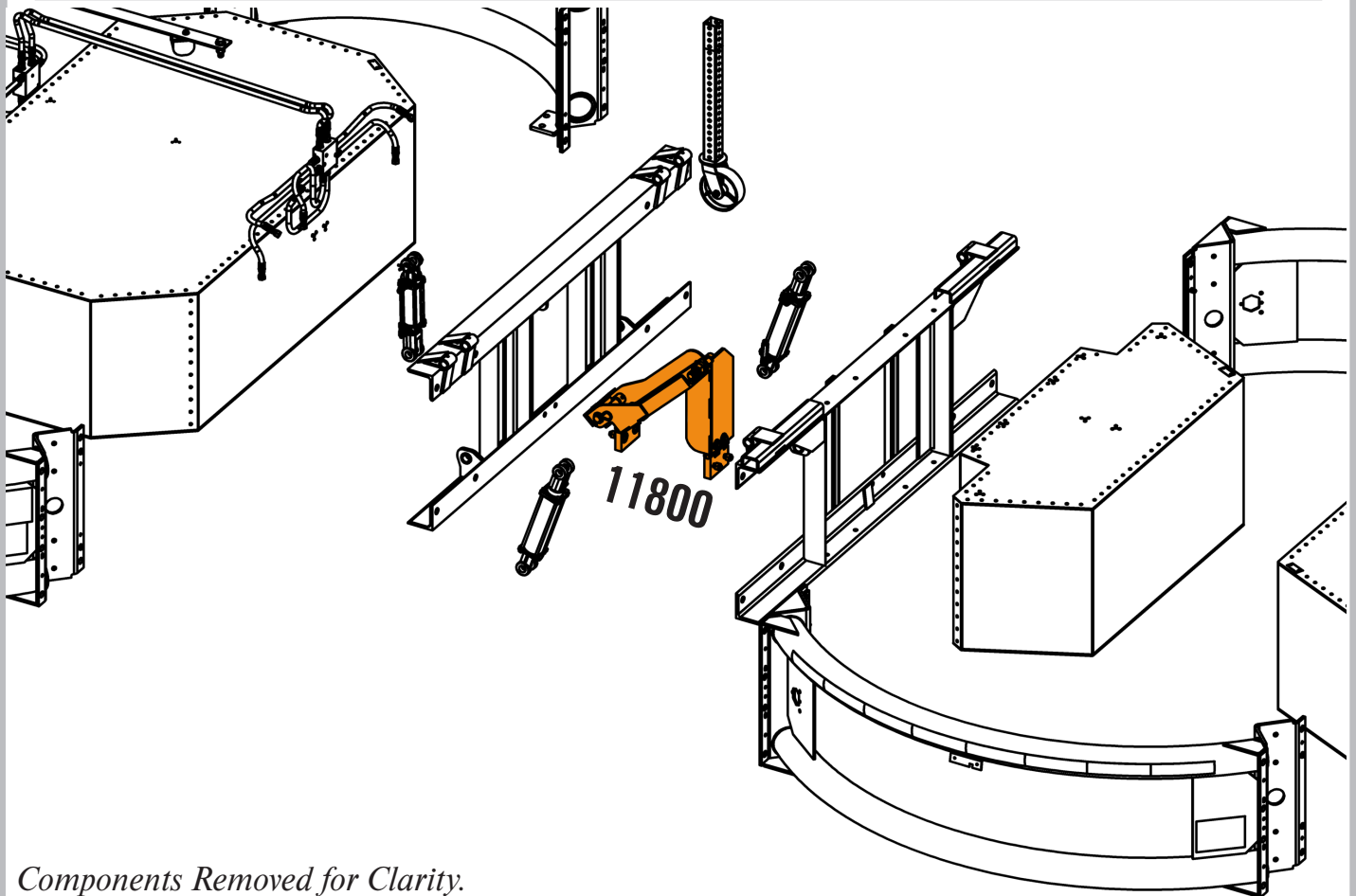
For Lockout Arm Hardware, see page 48.

12144-KIT

Hinge Pin Kit



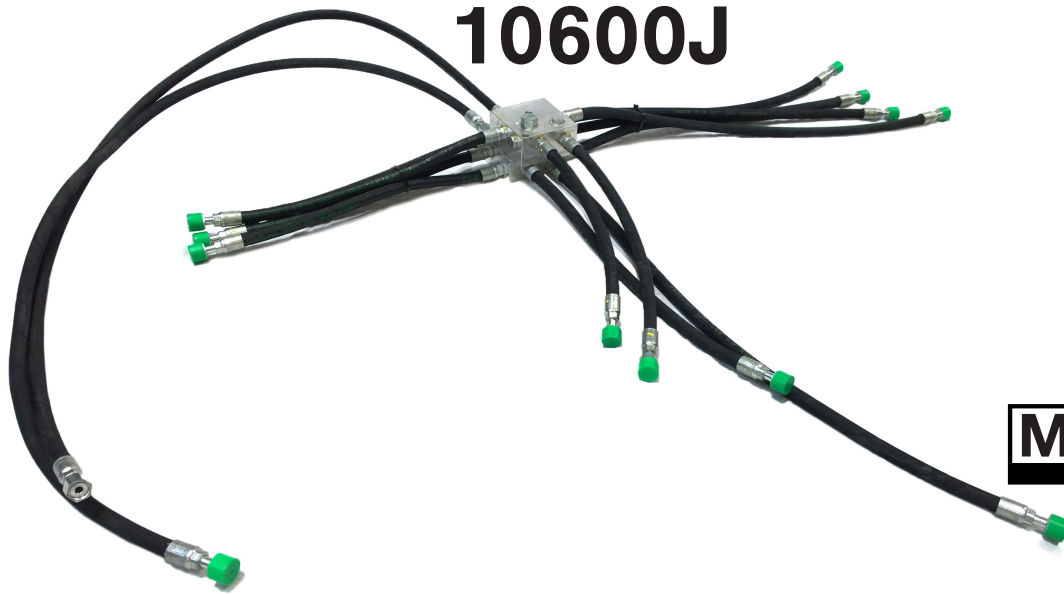
Lockout Arm Placement in MASH Scorpion II.



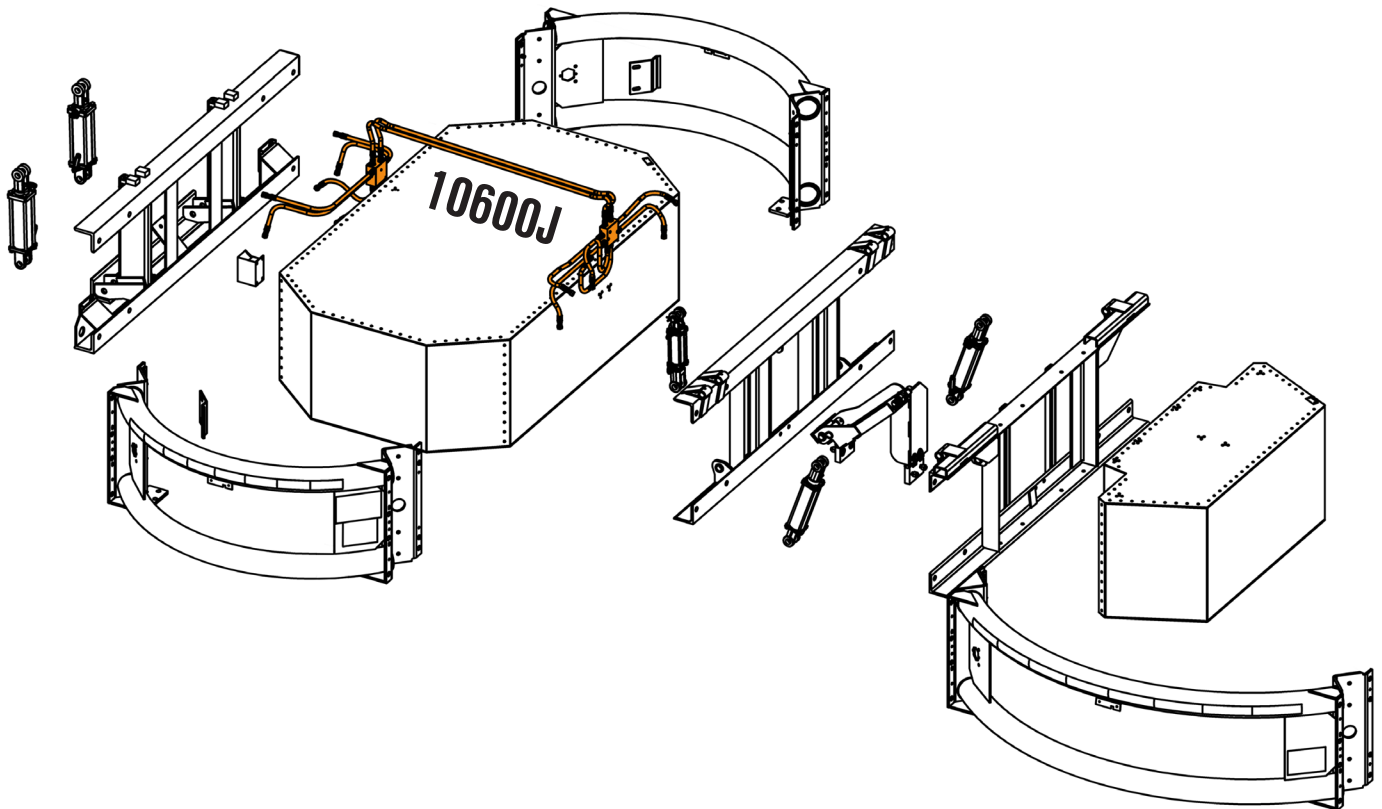
Components Removed for Clarity.

Hydraulic Hose Kit

For MASH Scorpion II® TMA Only



Hydraulic Hose Kit Placement in MASH Scorpion II.



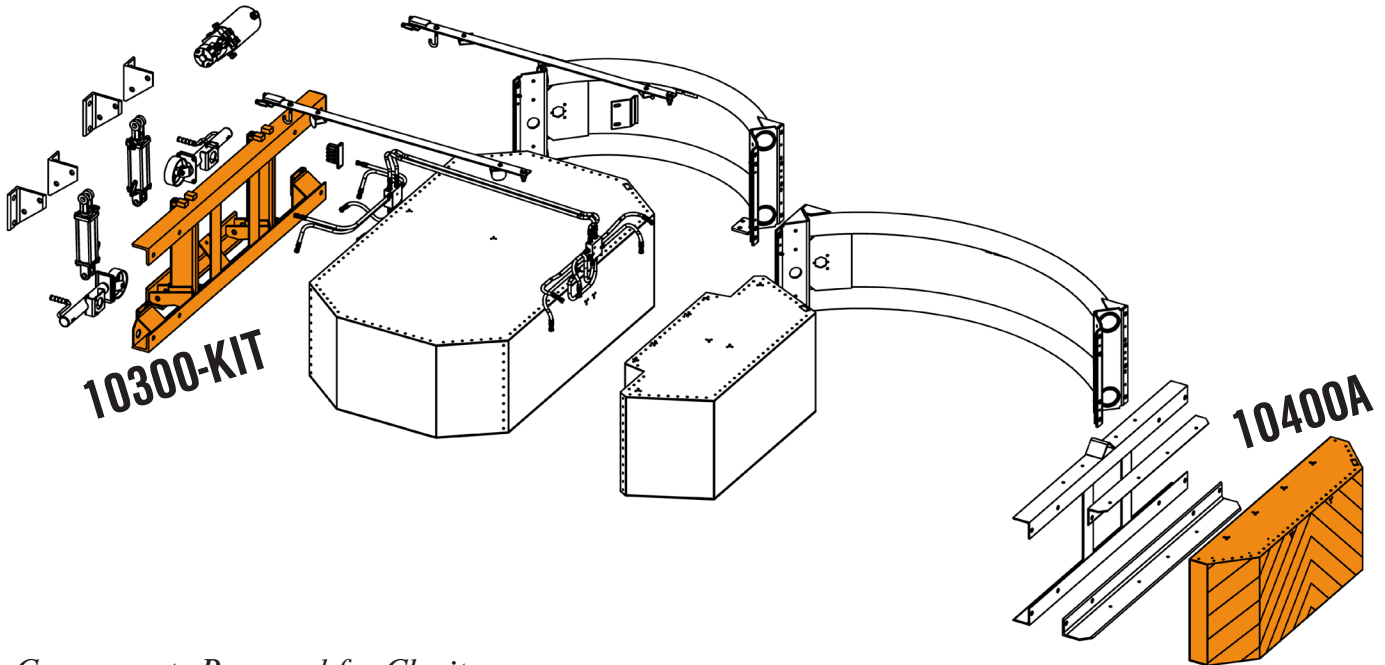
Components Removed for Clarity.

Section 2: Shared Parts

For MASH and NCHRP-350 Scorpion® TMAs

Backup and Module A

For MASH and NCHRP-350 Scorpion® TMAs



Components Removed for Clarity.



10300-KIT

Backup Frame
MASH and NCHRP-350



Includes 12017 and 12015-6.0 Pins.



10400A

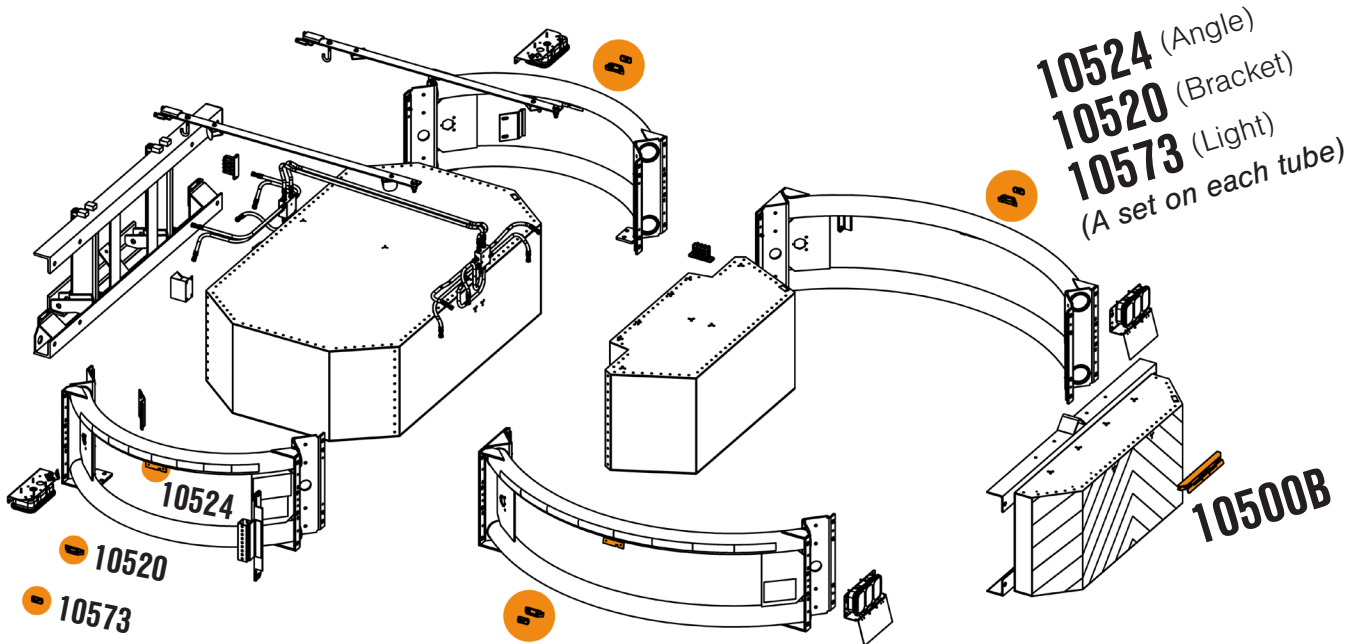
Module A
Energy absorbing Module
4" Yellow Sheeting
Hardware Included



MASH and NCHRP-350

Visibility Lights

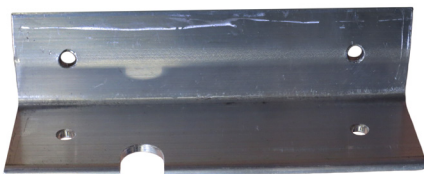
For MASH and NCHRP-350 Scorpion® TMAs



Components Removed for Clarity.

10524

Angle, Side Marker Light



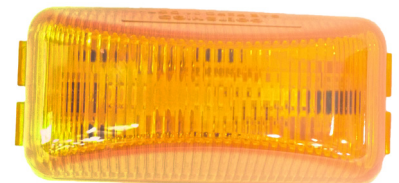
10520

Bracket, Side Marker Light



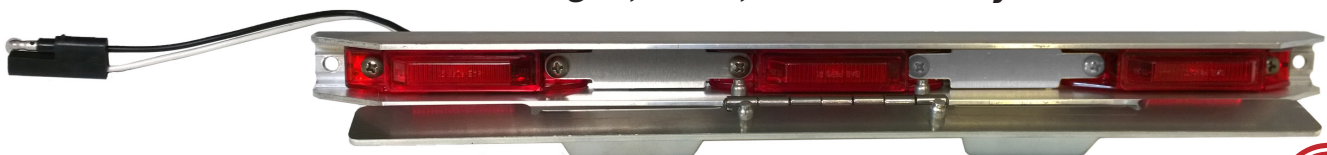
10573

Side Marker Light, Amber LED, Multivolt



10500B

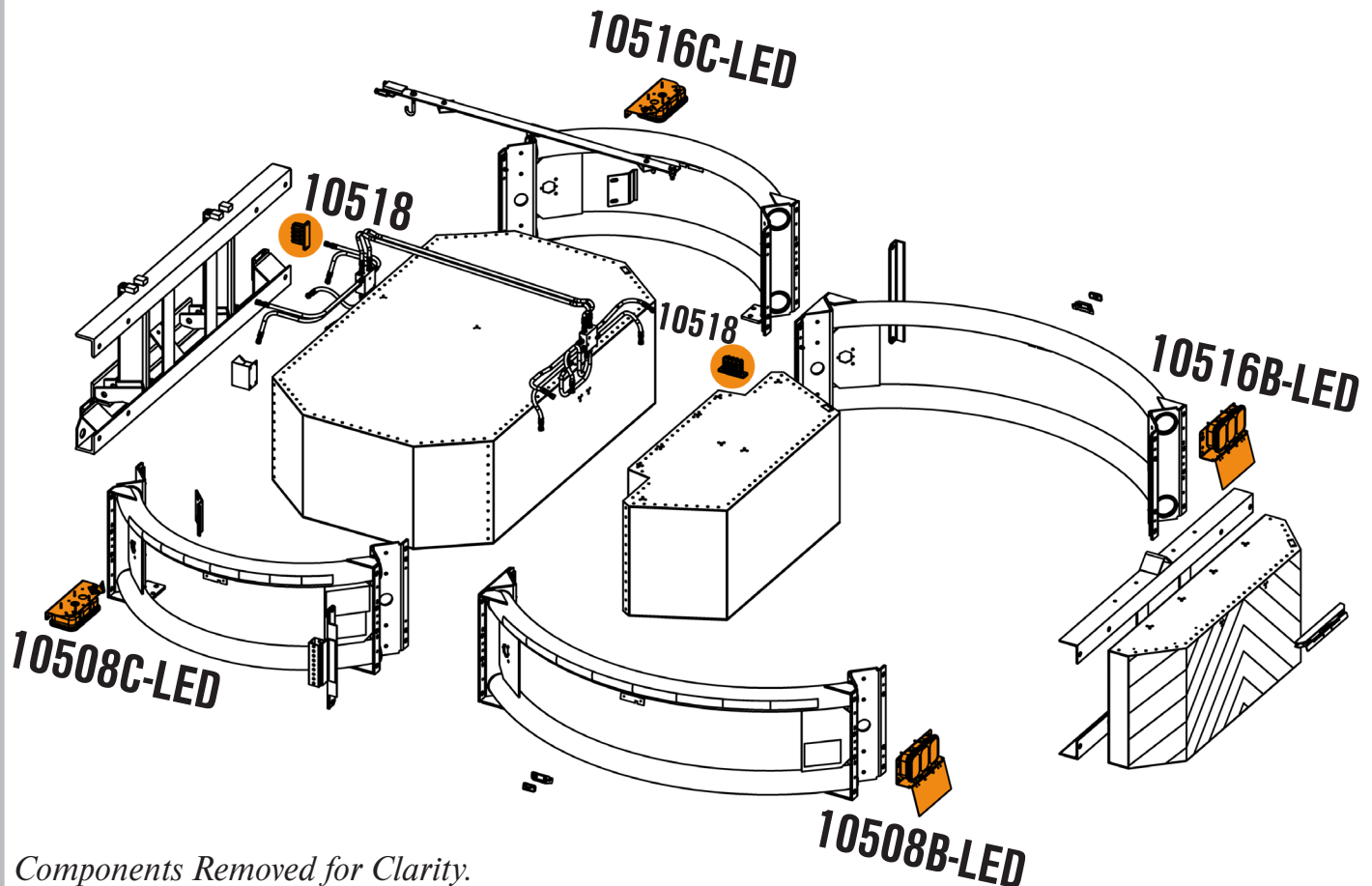
ICC Bar Light, LED, 12 Volt Only



Tail Lights and Junction

For MASH and NCHRP-350 Scorpion® TMAs

Tail Light and Junction Placement



Components Removed for Clarity.

10518

Junction Box



MASH ✓

NCHRP-350

For cables, see
Light Wiring
on pages 37-39.

For *LED-Tail Light*
Hardware, see page 40-43.

Tail Lights

For MASH and NCHRP-350 Scorpion® TMAs

10508C-LED

Front Left, Strut Tail Light



10516C-LED

Front Right, Strut Tail Light



10508B-LED

Rear Left, Cartridge Tail Light



10516B-LED

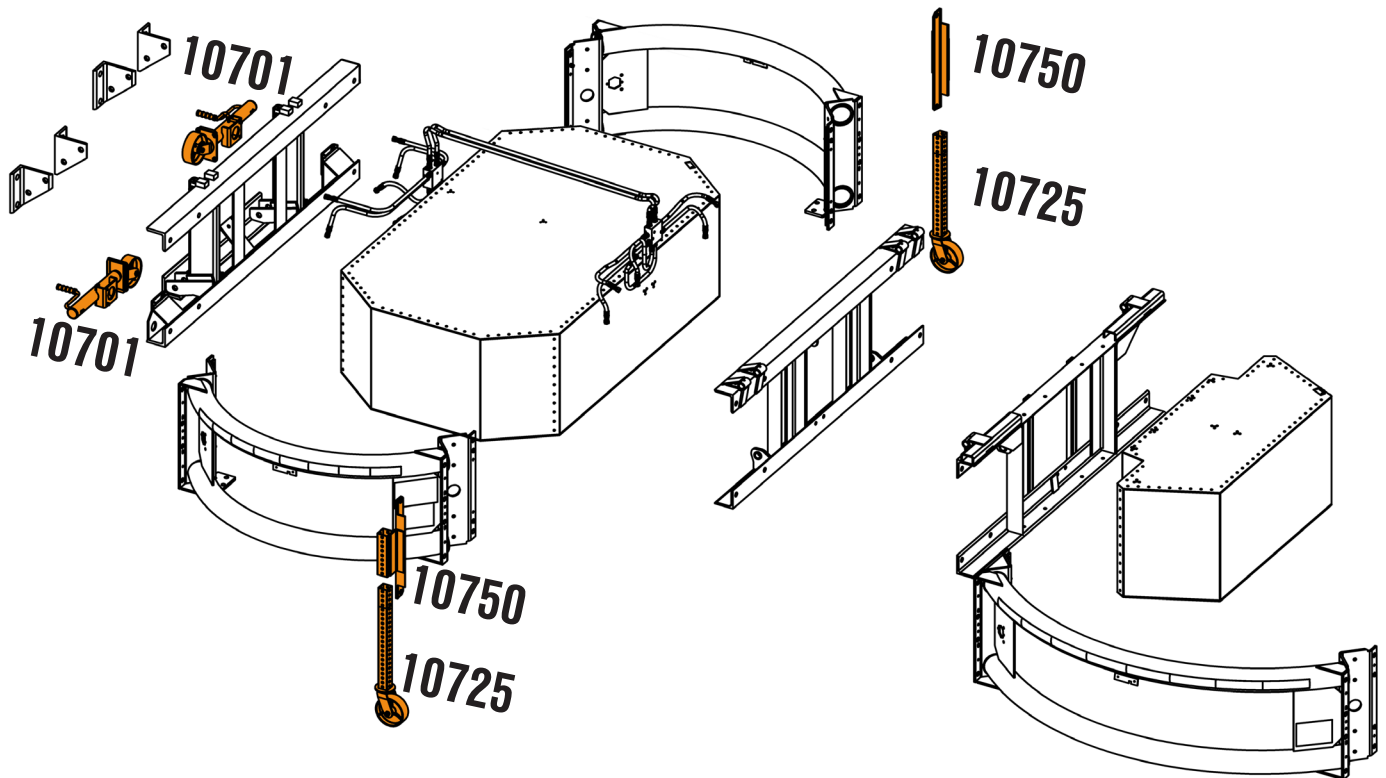
Rear Right, Cartridge Tail Light



Replacement Jacks

For MASH and NCHRP-350 Scorpion® TMAs

Jack Placement



Components Removed for Clarity.

Swivel Jack

Choose from either *Regular Duty* or *Heavy Duty*.
Both are universal (suitable for left or right placement).

10701

Regular Duty Swivel Jack



MASH ✓



OR

10701MNJ

Heavy Duty Swivel Jack



MASH ✓



10702

Snap Ring for Swivel Jack



MASH ✓

Drop Jack

Universal (suitable for left or right placement).

10750

*Mounting Bracket for
Drop Jack*



MASH ✓



90005-LP

*Lock Pin,
Square Retainer*



MASH ✓



10725 (22")

10725-02 (26")

Drop Jack



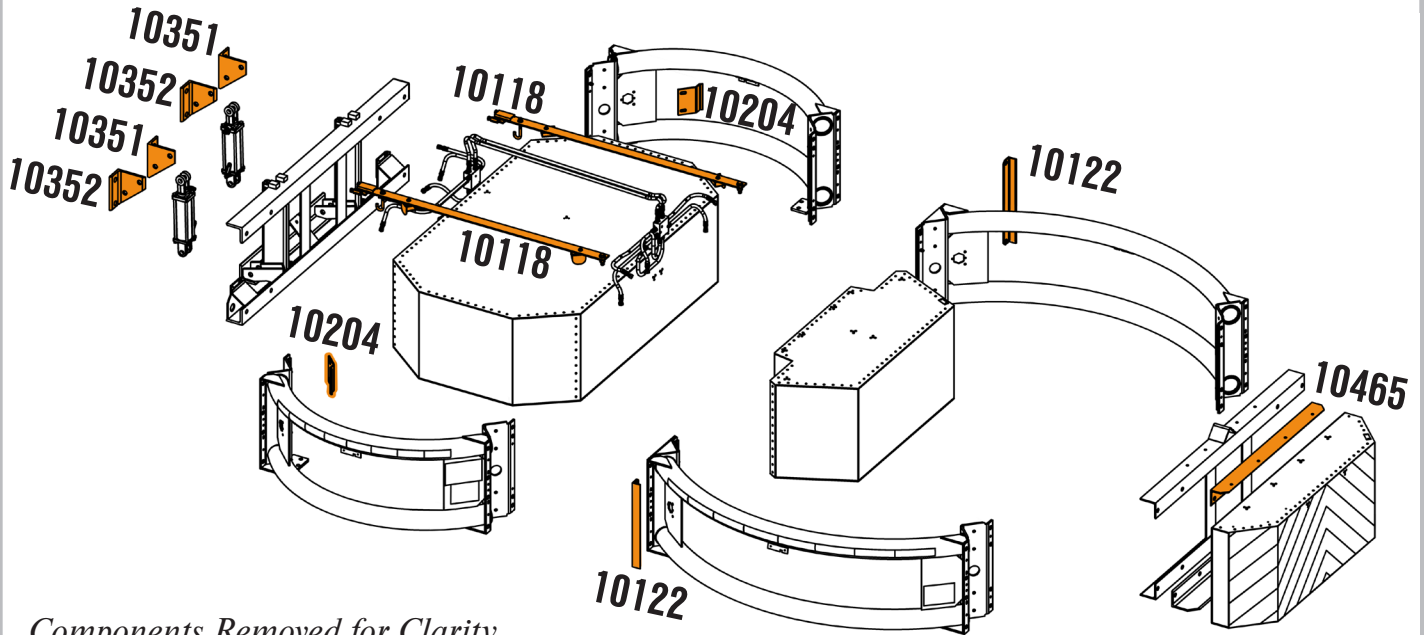
MASH ✓



Misc. Components

For MASH and NCHRP-350 Scorpion® TMAs

Placement on Scorpion



Components Removed for Clarity.

Mounting Brackets

These brackets attach the TMA to the host truck.

10352

Mounting Bracket, Left



MASH ✓



10351

Mounting Bracket, Right



MASH ✓



Misc. Components

For MASH and NCHRP-350 Scorpion® TMAs

10204

Energy-Absorbing Bracket

Universal - (suitable for left or right placement)



10118

Tension Strap Set

Universal, Includes pair of straps



10122

Vertical Support Angle
Attaches to cartridge tube.
Universal.



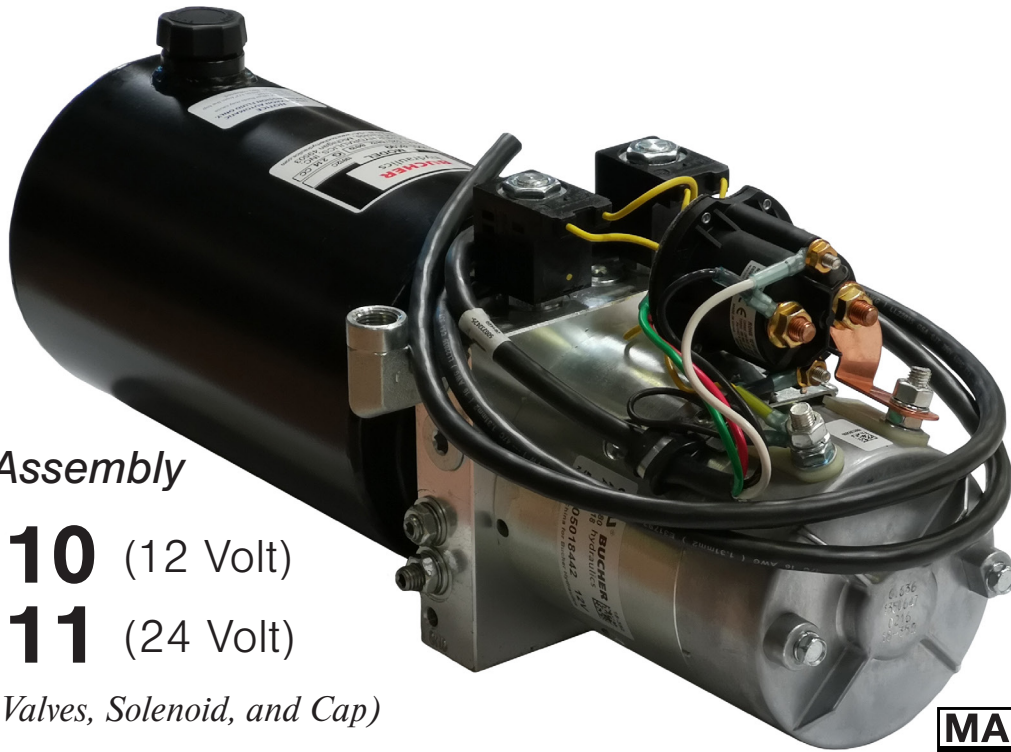
10465

Rear Top Angle
Attaches to Module A.



Motor and Electronics

For MASH and NCHRP-350 Scorpion® TMA's



Motor Assembly

11010 (12 Volt)

11011 (24 Volt)

(Includes Valves, Solenoid, and Cap)



10507C
Motion Alarm



11026
*2 Button
Controller,
Orange*

*with 30 ft. Cable
and Plug Connector*

10919

*Heavy Duty 4-Pin
Plug Connector*



Fuses

12049
12 Volt, 250 Amp



12089
24 Volt, 150 Amp

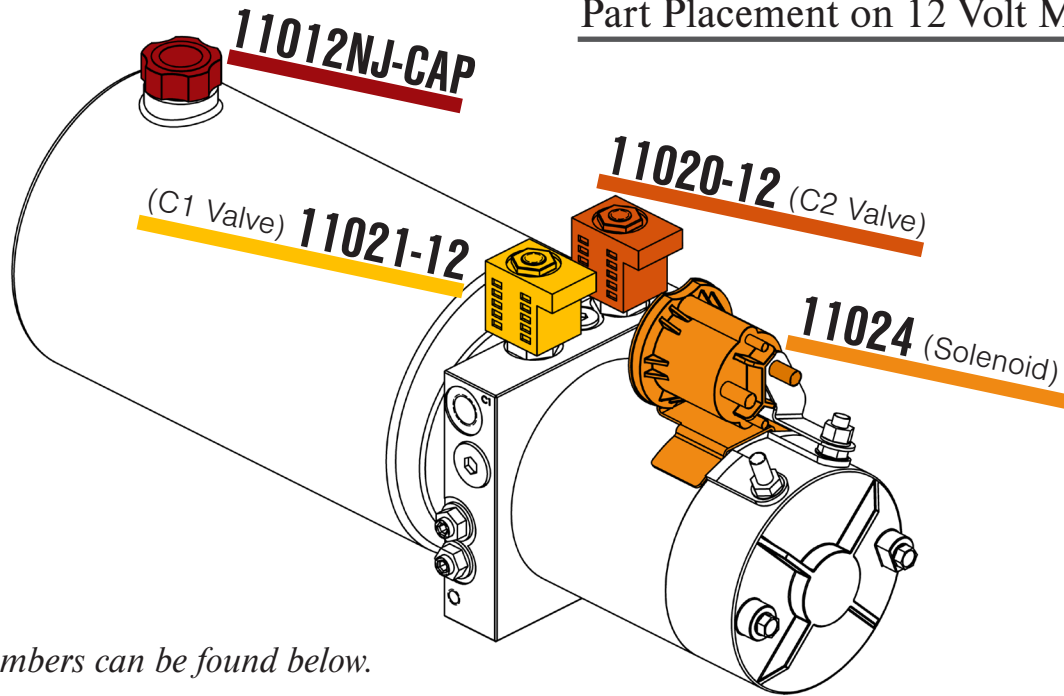


10920

*Heavy Duty 4-Pin
Socket Connector*



Part Placement on 12 Volt Motor



24 Volt Part Numbers can be found below.

11012NJ-CAP



Cap



11012NJ-CAP-DS

(Optional)
Measurement Cap



Solenoid

11024 (12 Volt)

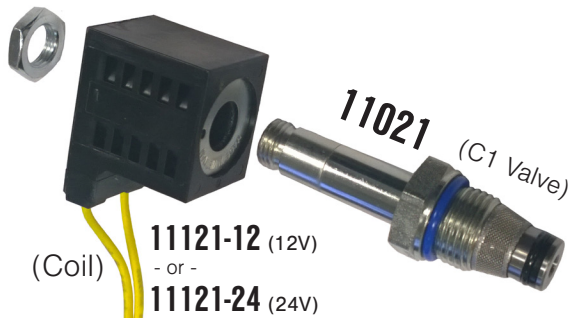
11025 (24 Volt)

Valves

11021-12 (12 Volt)

11021-24 (24 Volt)

C1 Valve Kit. Includes:



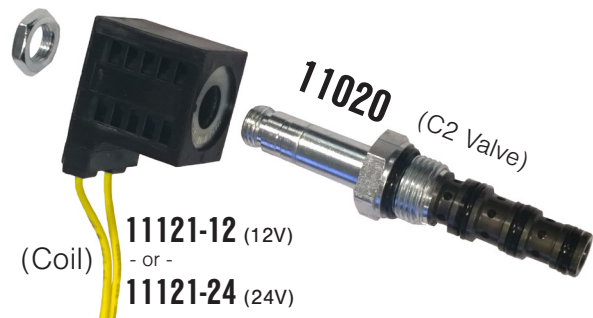
(Coil) 11121-12 (12V)
- or -
11121-24 (24V)

11021 (C1 Valve)

11020-12 (12 Volt)

11020-24 (24 Volt)

C2 Valve Kit. Includes:



(Coil) 11121-12 (12V)
- or -
11121-24 (24V)

11020 (C2 Valve)

Appendix A

Wiring & Hardware

Power Connection Options

For MASH and NCHRP-350 Scorpion® TMAs

Standard Cables

For semi-permanently mounted TMAs.



For standard cables, order the following parts:

Red Cable with Fuse

Item	Part No.	Qty.
Red Cable	10908-R	5 ft.
End Terminal	10909	2
Red Heat Shrink	14500	2
Fuse	12049 (12V) or 12089 (24V)	1
Bolt	12085	1
Washer	26048	1
Nut	12050	1

Black Cable

Item	Part No.	Qty.
Black Cable	10908-B	5 ft.
End Terminals	10909	2
Black Heat Shrink	14501	2



10909
End Terminal



12085
Brass Bolt,
 $\frac{5}{16}$ "-18 x $\frac{3}{4}$ "



26048
Washer, $\frac{3}{8}$ " SAE,
Zinc Plated Steel



12050
Nut, $\frac{5}{16}$ "-18
Zinc Plated

10908-B *Power Cable, Black*



10908-R *Power Cable, Red*



Cable is sold by the foot.

Fuses

12049

12 Volt, 250 Amp



12089

24 Volt, 150 Amp

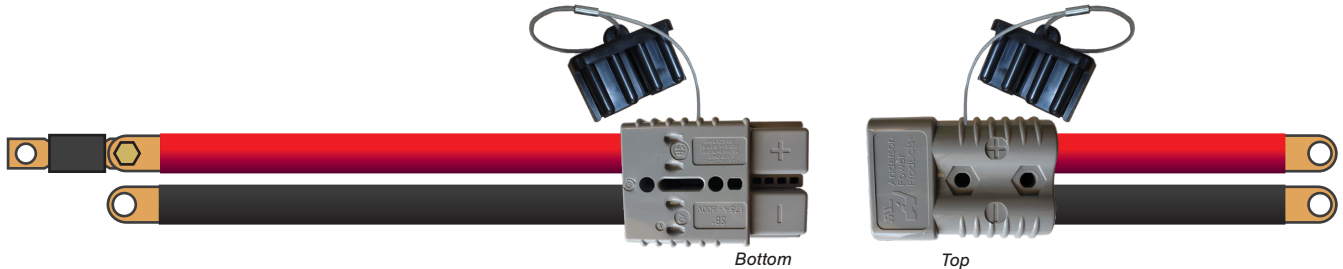


Power Connection Options

For MASH and NCHRP-350 Scorpion® TMAs

Quick Disconnect

For easier attachment, removal, or swapping of TMAs.



Quick Disconnect Kits with Cable and Connector

Truck Side

*For 12V Systems
Includes 12V 250A Fuse.*

Part No.	Length
10928	20 ft. (6m)
10928-30	30 ft. (9m)
10928-35	35 ft. (10.5m)

*For 24V Systems
Includes 24V 150A Fuse.*

Part No.	Length
10928-24V	20 ft. (6m)
10928-24V-23	23 ft. (7m)
10928-24V-25	25 ft. (7.5m)
10931	32 ft. (9.5m)

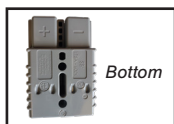
Motor Side

No Fuse Included.

Part No.	Length
10928-5FT	5 ft. (1.5m)
10928-7	7 ft. (2m)
10928-8FT	8 ft. (2.5m)
10928-10FT	10 ft. (3m)

11032

*Quick Disconnect
Connector Only*



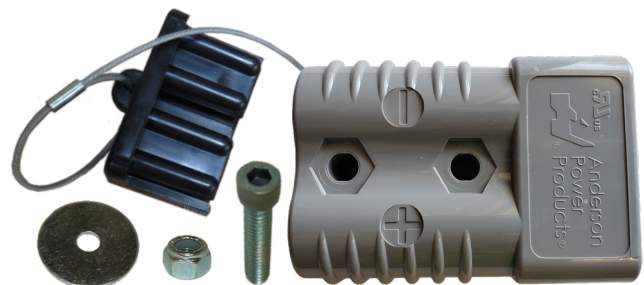
Bottom



Top

11032-KIT

*Quick Disconnect Kit
With Connector, Dust Cover,
and Hardware (no cable)*



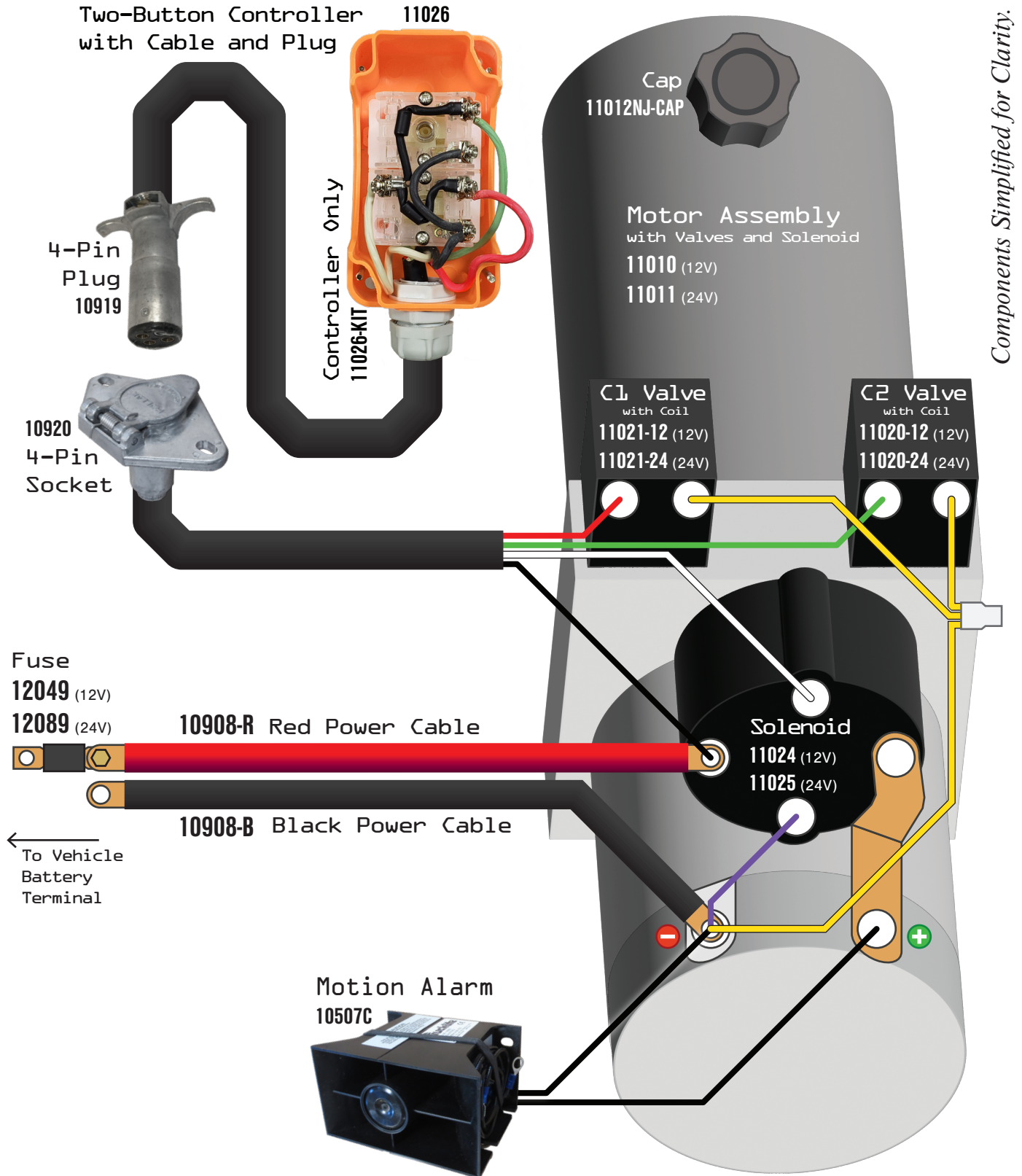
*Quick Disconnect
Dust Cover Only*

10925



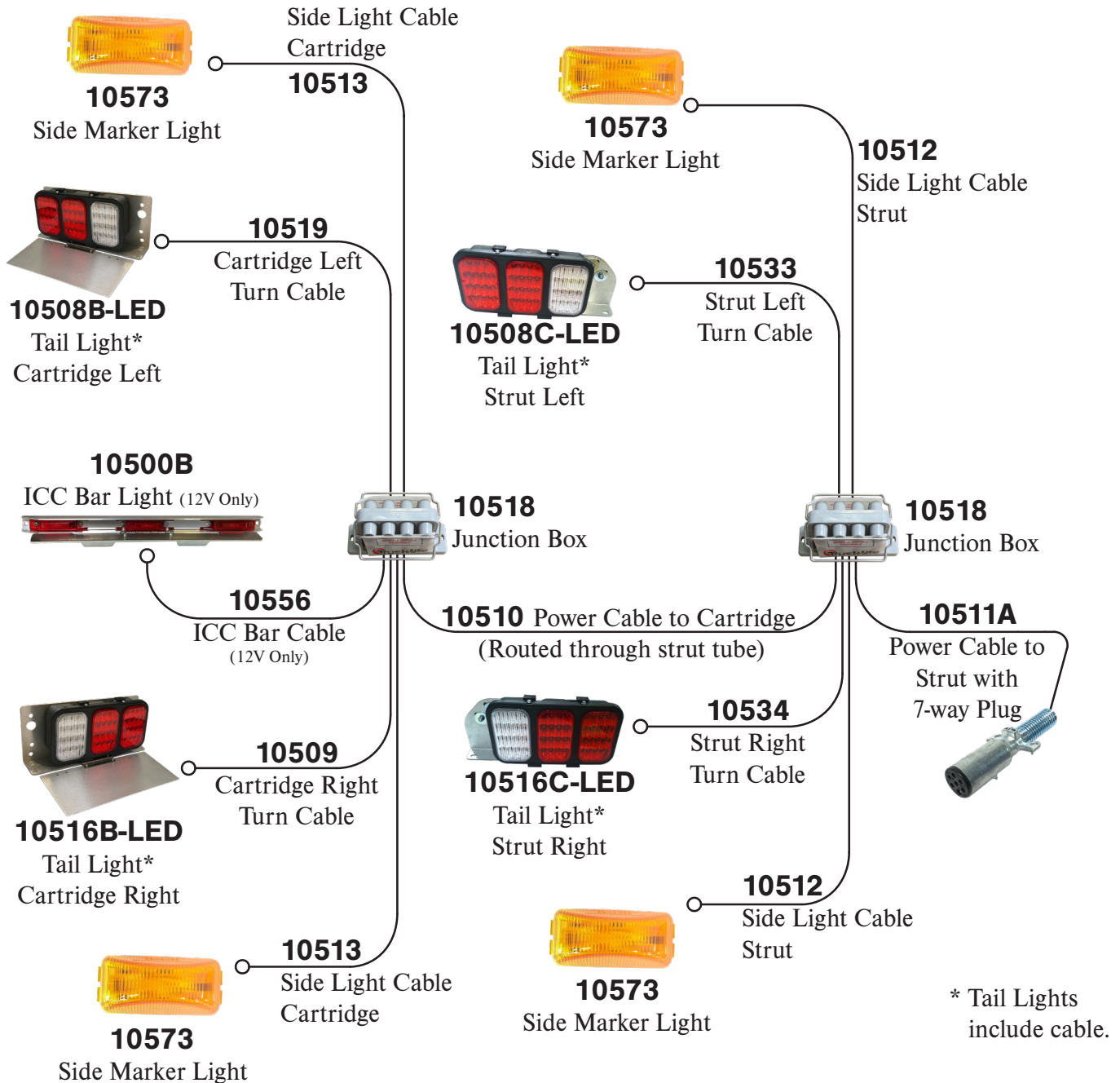
Motor and Electronics Wiring

For MASH and NCHRP-350 Scorpion® TMAs



Light Wiring

For MASH and NCHRP-350 Scorpion® TMAs



All parts on this page

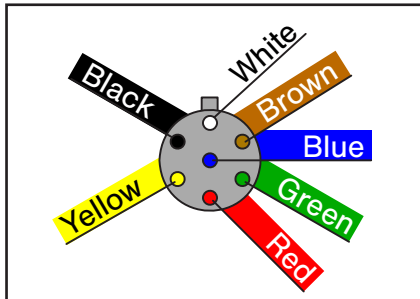


White	Ground
Black	Open Circuit
Yellow	Left Turn
Red	Stop
Green	Right Turn
Brown	Running/Clearance
Blue	Reverse

Light Wiring (Strut)

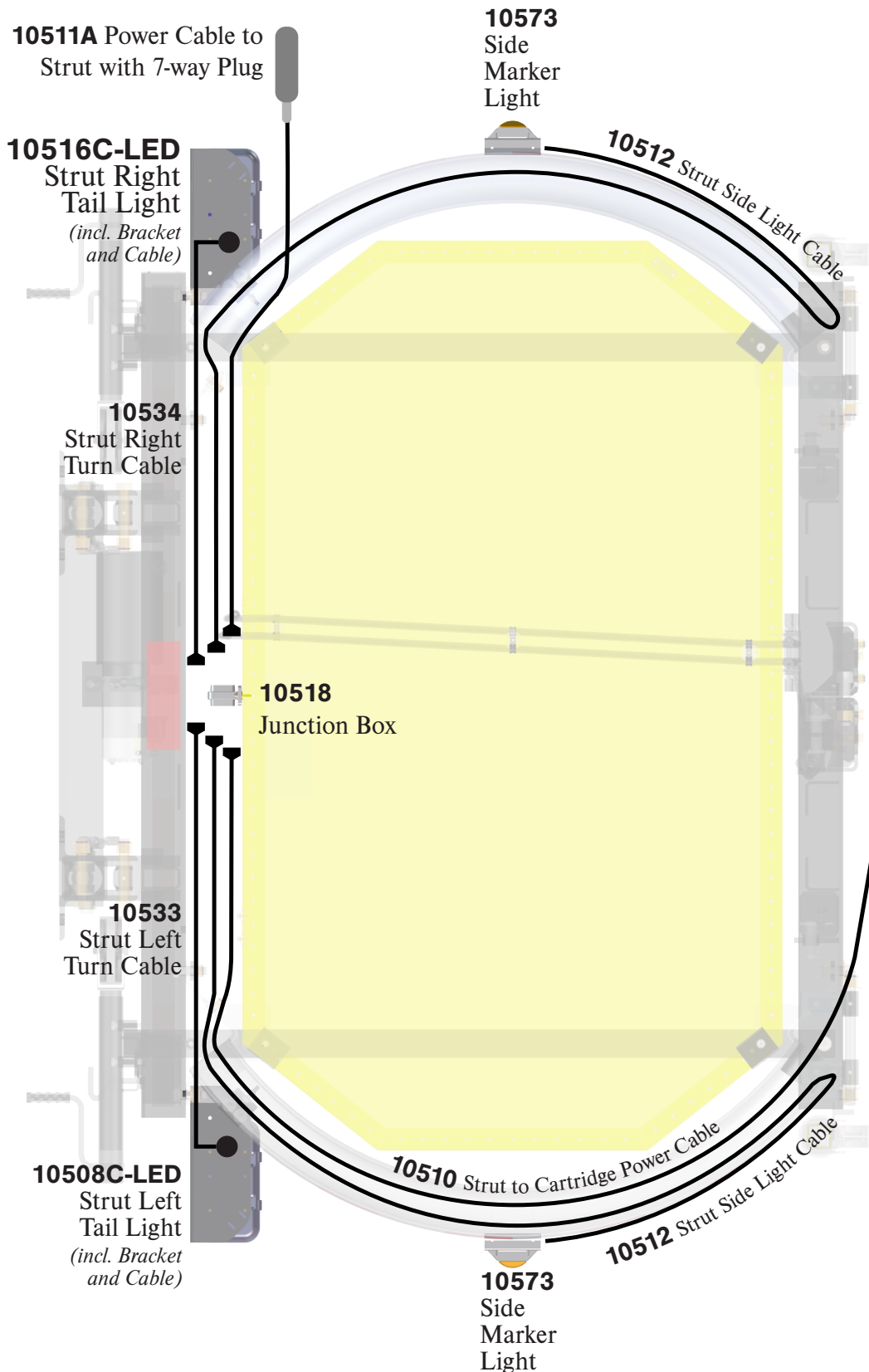
For MASH and NCHRP-350 Scorpion® TMAs

**Front
Right**



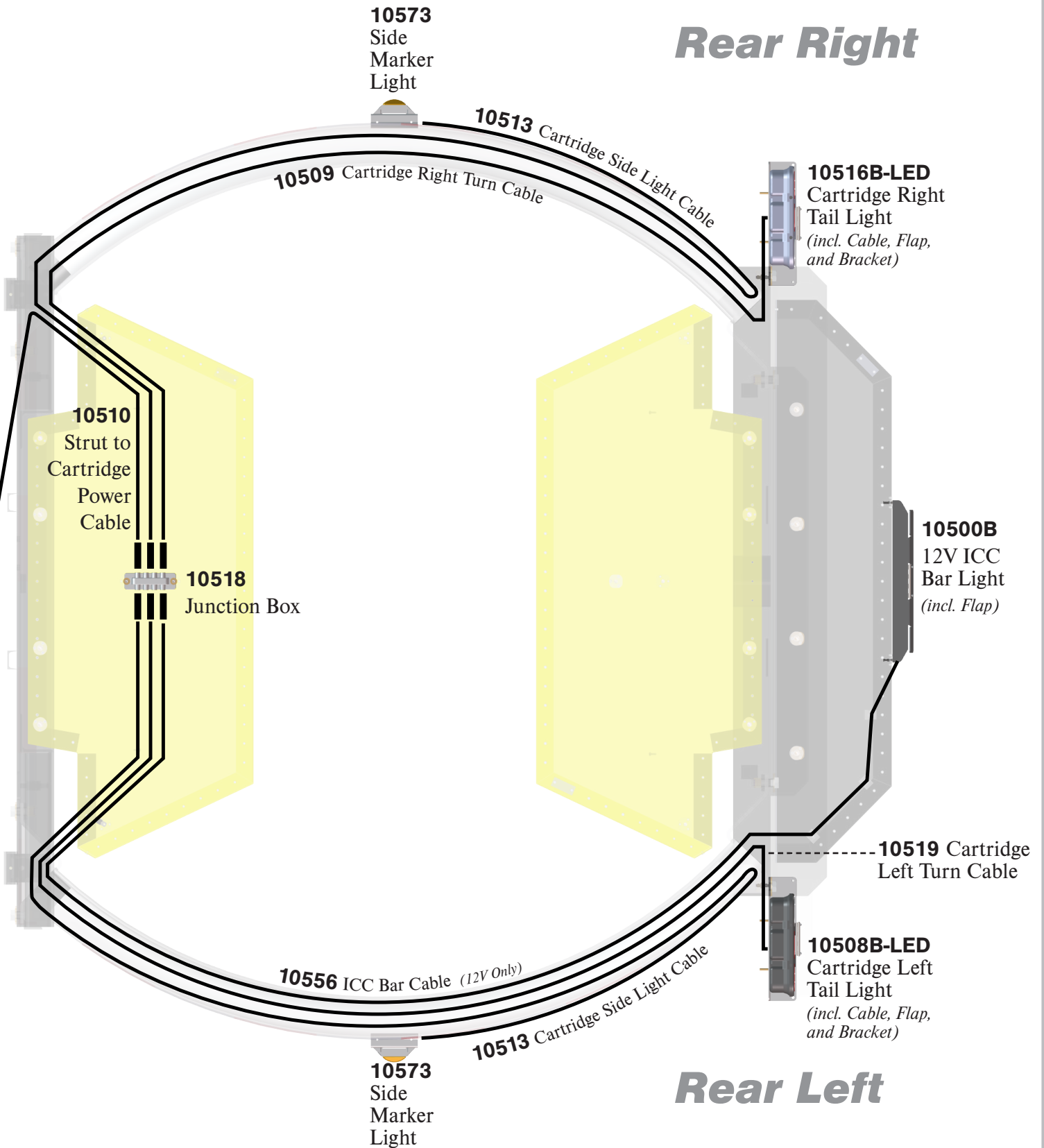
White	Ground
Black	Open Circuit
Yellow	Left Turn
Red	Stop
Green	Right Turn
Brown	Running/Clearance
Blue	Reverse

**Front
Left**



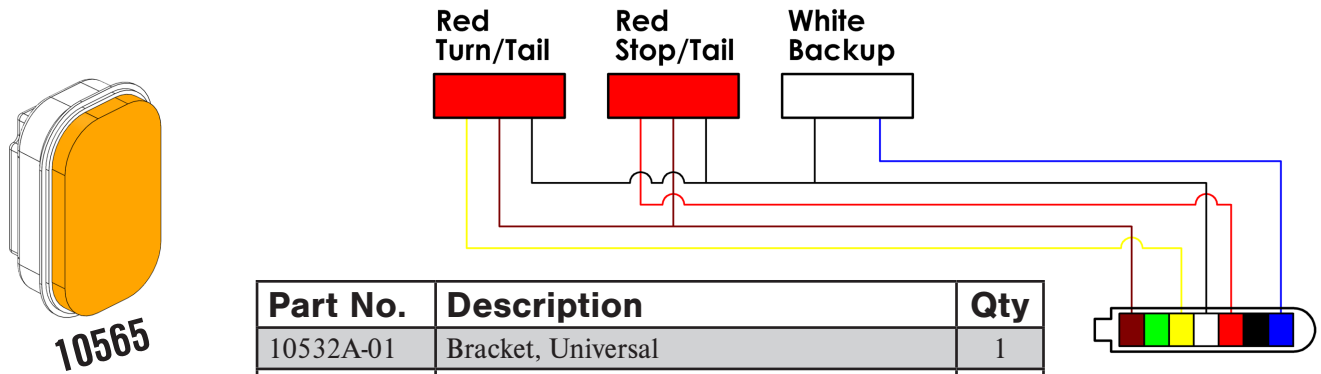
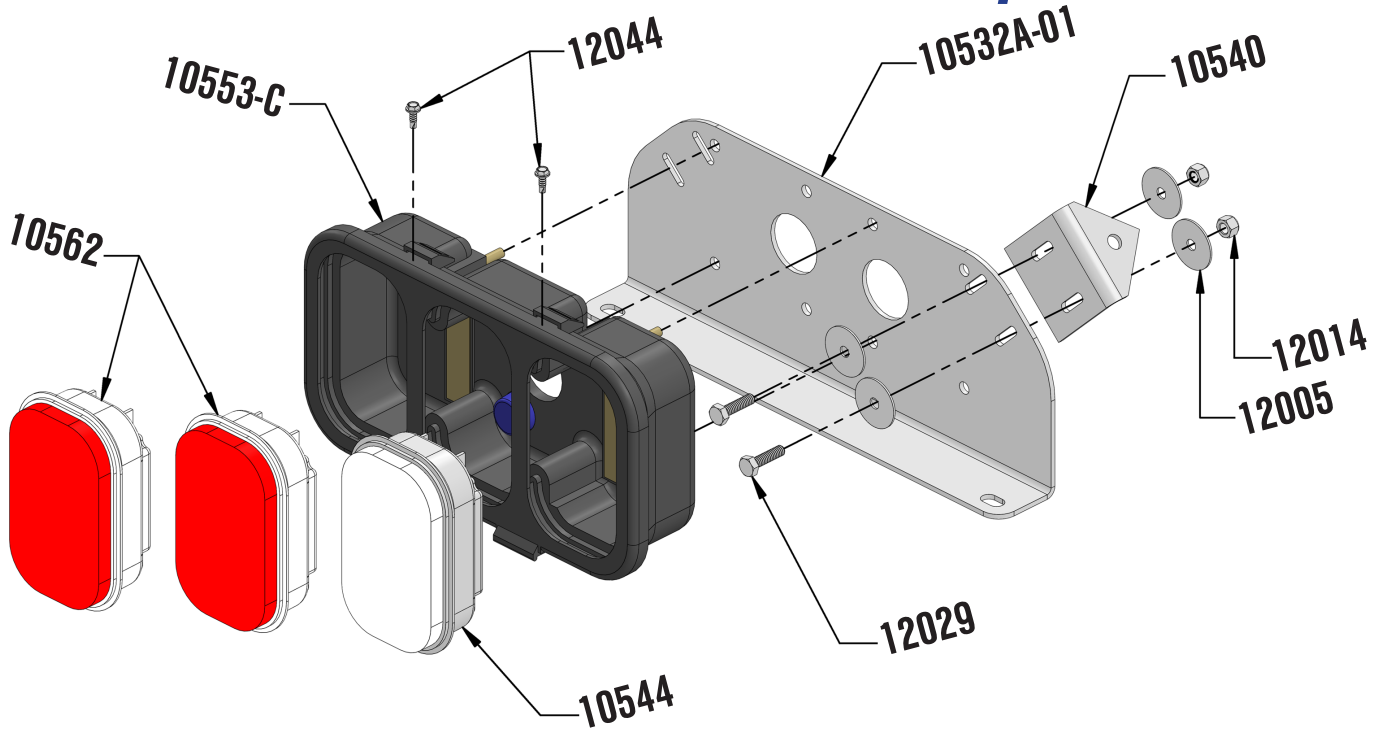
Light Wiring (Cartridge)

For MASH and NCHRP-350 Scorpion® TMAs



Left Strut Tail Light Hardware 10508C-LED

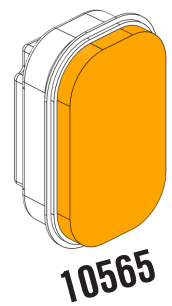
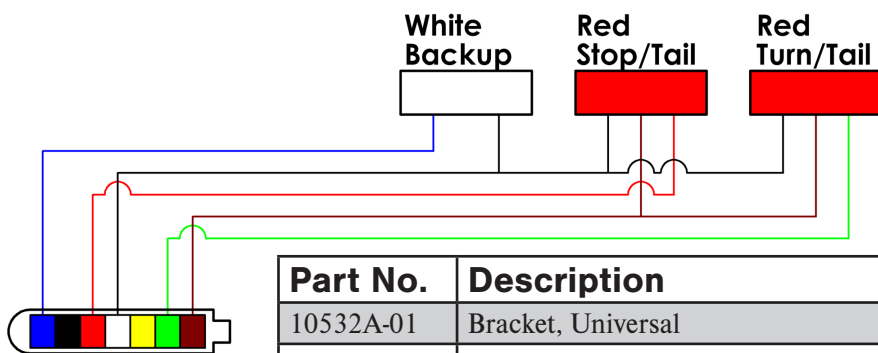
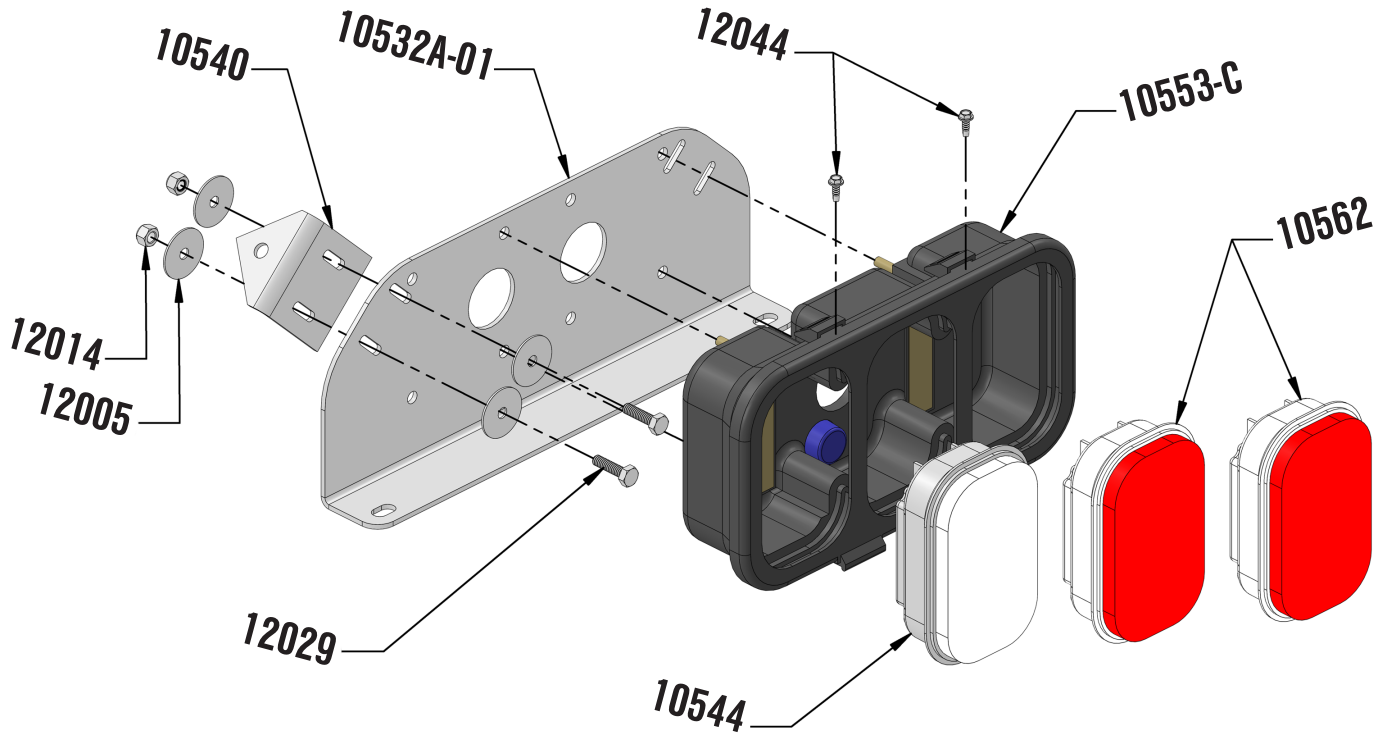
For MASH and NCHRP-350 Scorpion® TMAs



Part No.	Description	Qty
10532A-01	Bracket, Universal	1
10540	Adjustment Angle	1
10553-C	Light Housing, Rubber	1
10562	LED Light, Red, Stop-Turn-Tail	2
10544	LED Light, White, Backup	1
10565	LED Light, Yellow, Turn	0
10533	Strut Tail Light Cable, Left, 48 Inch	1
12029	Bolt, HHCS, 1/4"-20 x 1"	2
12005	Fender Washer, 1/4"	4
12014	Locknut, 1/4"-20	2
12044	Screw, #8 x 1/2", Self Drilling, Hex Head	2

Right Strut Tail Light Hardware 10516C-LED

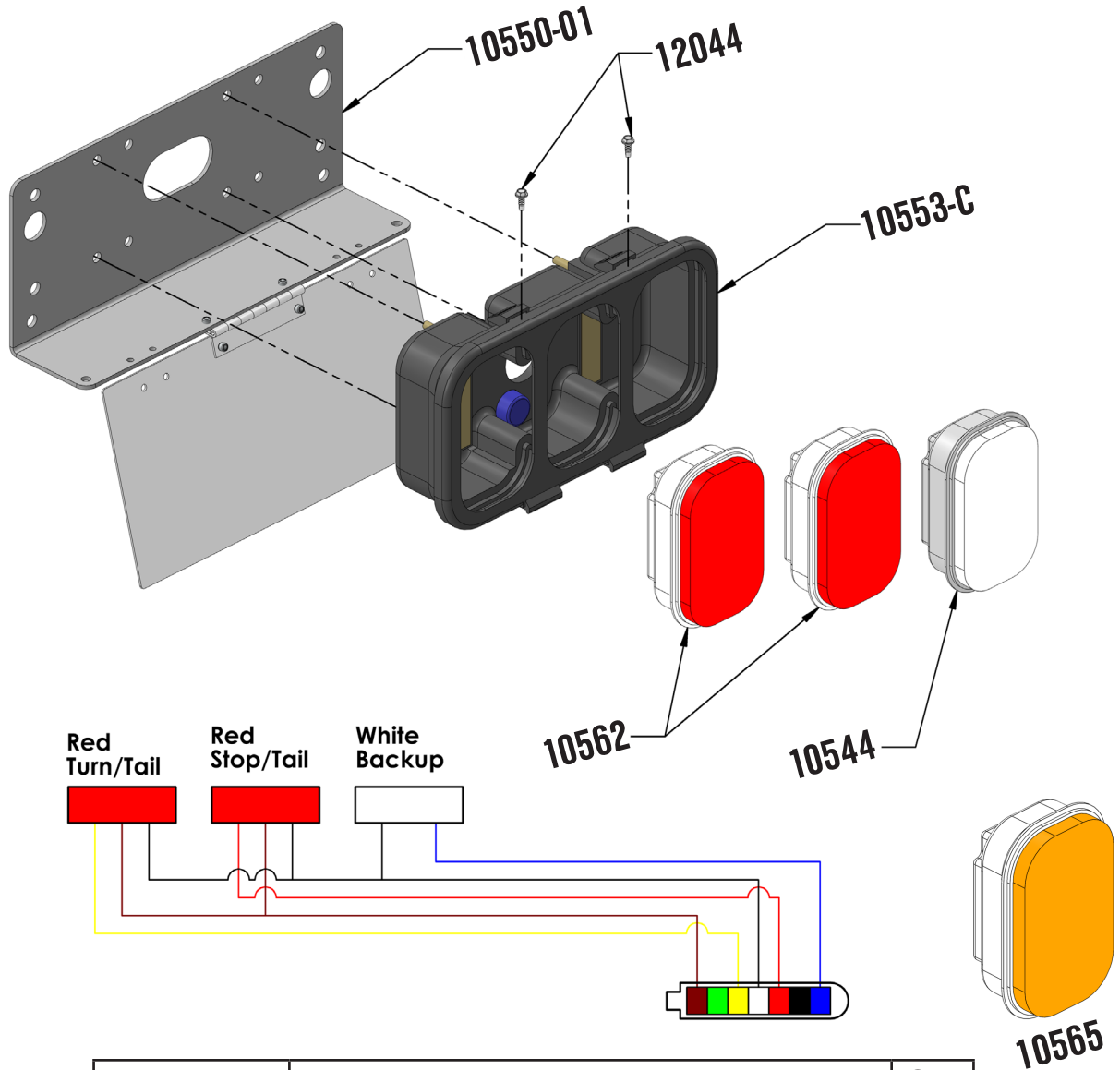
For MASH and NCHRP-350 Scorpion® TMAs



Part No.	Description	Qty
10532A-01	Bracket, Universal	1
10540	Adjustment Angle	1
10553-C	Light Housing, Rubber	1
10562	LED Light, Red, Stop-Turn-Tail	2
10544	LED Light, White, Backup	1
10565	LED Light, Yellow, Turn	0
10534	Strut Tail Light Cable, Right, 48 Inch	1
12029	Bolt. HHCS, 1/4"-20 x 1"	2
12005	Fender Washer, 1/4"	4
12014	Locknut, 1/4"-20	2
12044	Screw, #8 x 1/2", Self Drilling, Hex Head	2

Left Cartridge Tail Light 10508B-LED Hardware

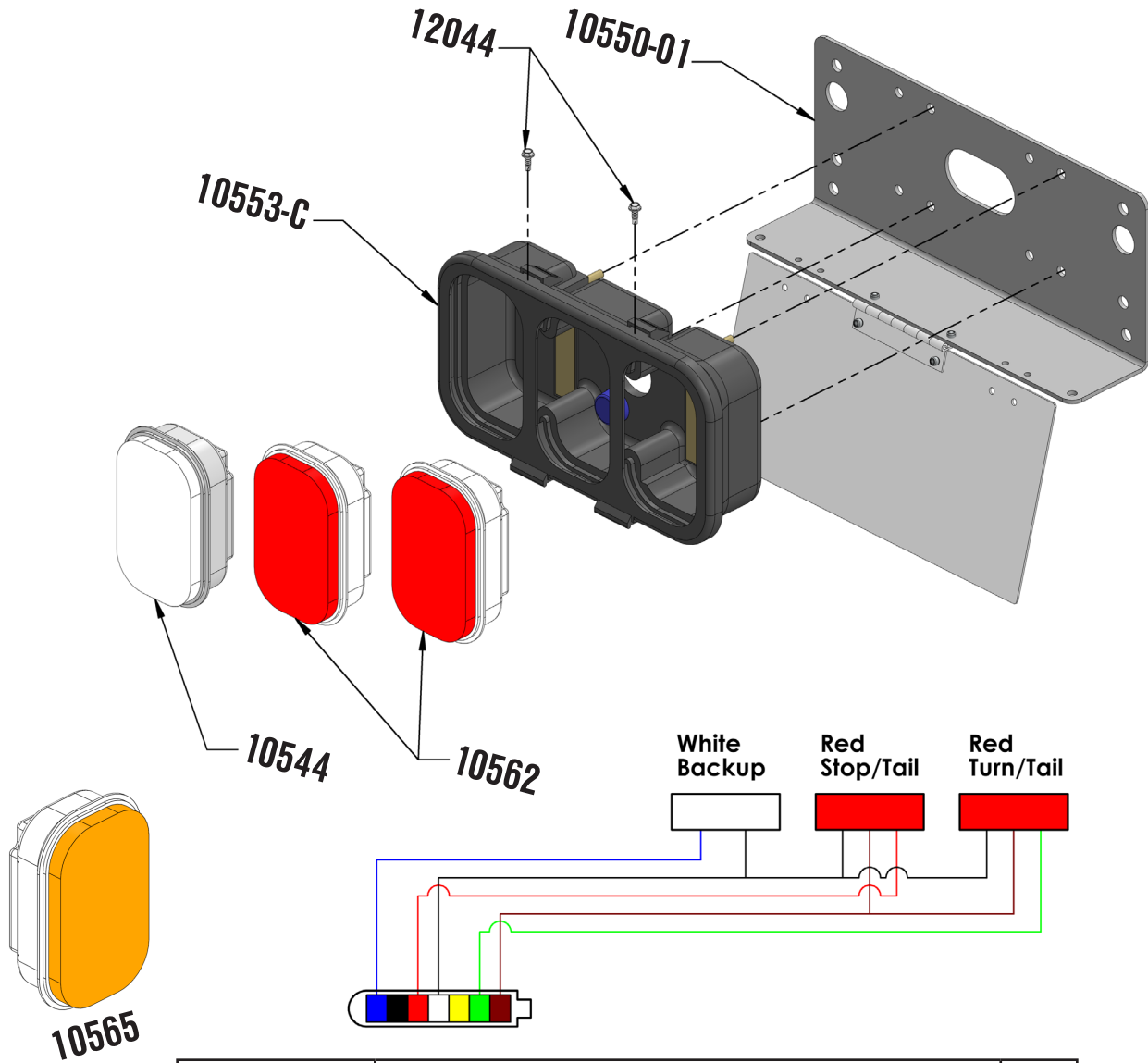
For MASH and NCHRP-350 Scorpion® TMAs



Part No.	Description	Qty
10550-01	Bracket with Metal Flap, Universal	1
10553-C	Light Housing, Rubber	1
10562	LED Light, Red, Stop-Turn-Tail	2
10544	LED Light, White, Backup	1
10565	LED Light, Yellow, Turn	0
10519	Cartridge Tail Light Cable, Left, 120 Inch	1
12044	Screw, #8 x 1/2", Self Drilling, Hex Head	2

Right Cartridge Tail Light 10516B-LED Hardware

For MASH and NCHRP-350 Scorpion® TMAs



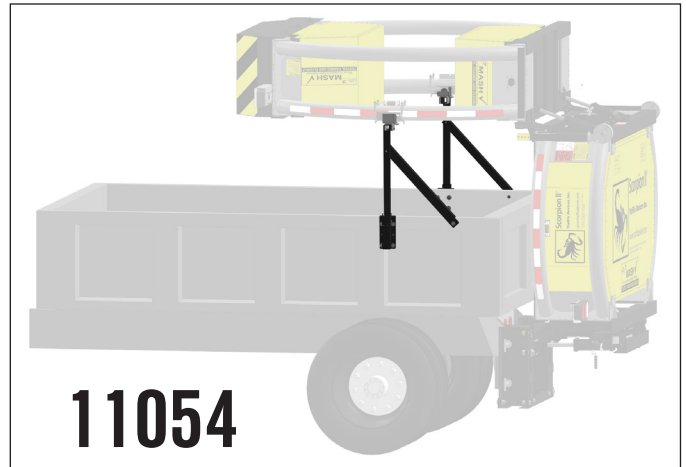
Part No.	Description	Qty
10550-01	Bracket with Metal Flap, Universal	1
10553-C	Light Housing, Rubber	1
10562	LED Light, Red, Stop-Turn -Tail	2
10544	LED Light, White, Backup	1
10565	LED Light, Yellow, Turn	0
10509	Cartridge Tail Light Cable, Right, 120 Inch	1
12044	Screw, #8 x 1 / 2", Self Drilling, Hex Head	2

Supports & Hardware

*For MASH and NCHRP-350
Scorpion® TMAs*



Dump Truck Side Support



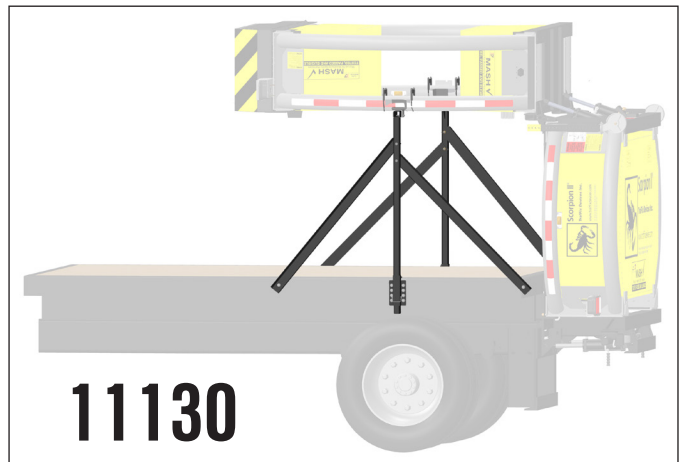
Go to Page 45

Flatbed Center Support



Go to Page 46

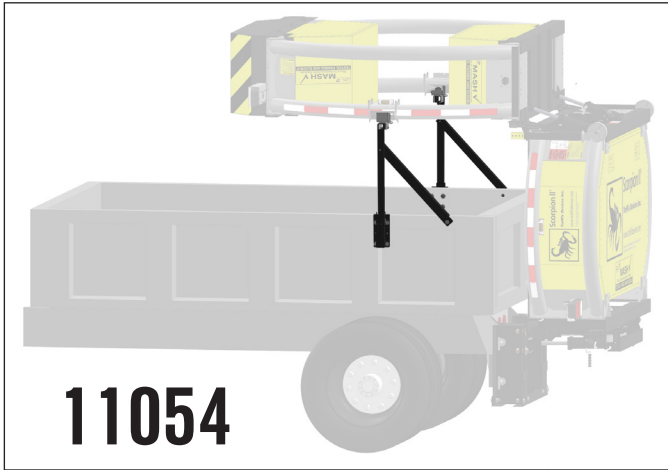
Flatbed Side Support



Go to Page 47

Dump Truck Side Supports

11054 Support Hardware



11054



11053
U-Bolt
2 needed per side

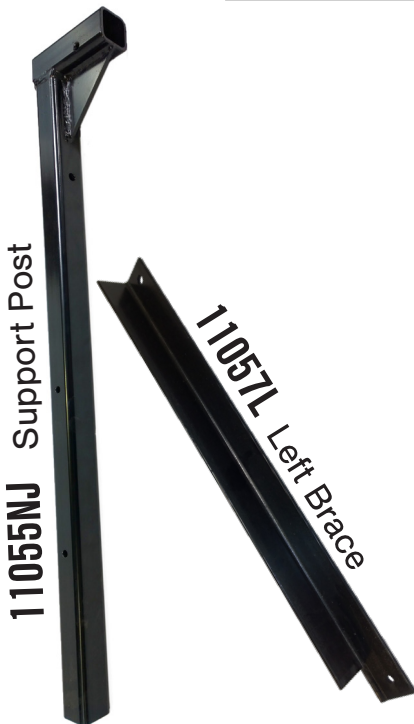
11059SS
Wear
Plate

1 needed per side



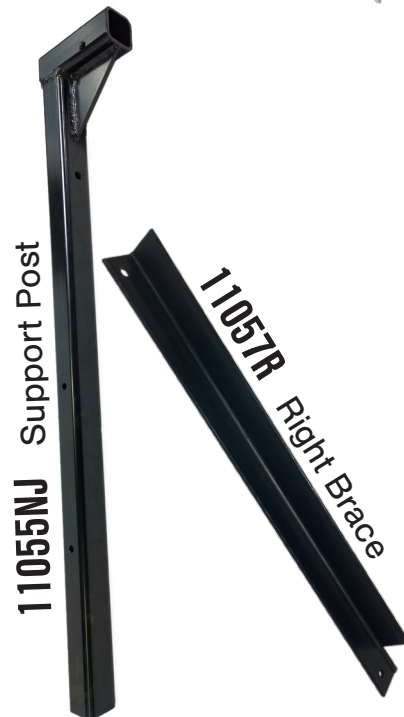
Top
Assembly
11040C

1 needed per side



11055NJ Support Post

11057L Left Brace

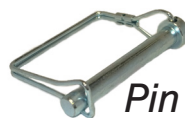


11055NJ Support Post

11057R Right Brace



11050
Support-Post
Bracket
1 needed per side



Pin
90005-LP
1 needed per side

Additional Hardware (Not Shown)

Part No.	Description	Qty
12074	Bolt, 1/2"-13 x 5-1/2"	10
12075	Washer, 1/2" USS	20
12024	Locknut, 1/2"-13	10
12055	Bolt, 3/8"-16 x 3"	4
12056	Locknut, 3/8"-16	4
26048	Washer, 3/8" SAE	8

Flatbed Center Support

10357 Support Hardware



13050
Center Support
Top Post



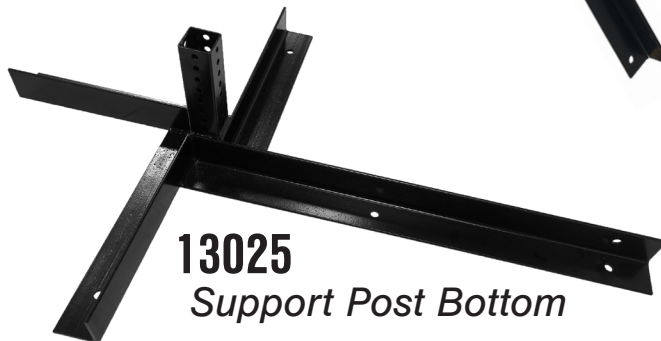
13001
Telspar
Steel Tube



13005
Steel Angle



90005-LP
Pin
2 needed



13025
Support Post Bottom

Additional Hardware (Not Shown)

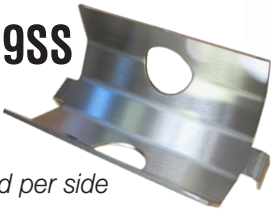
Part No.	Description	Qty
60015	Bolt, 1/2"-13 x 1-1/2"	2
12004	Bolt, 1/2"-13 x 2-1/2"	4
12024	Locknut, 1/2"-13	6
37808	Washer, .531" ID, 1.5" OD	4

Flatbed Side Support

11130 Support Hardware

11059SS
Wear
Plate

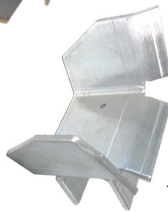
1 needed per side



11053

U-Bolt

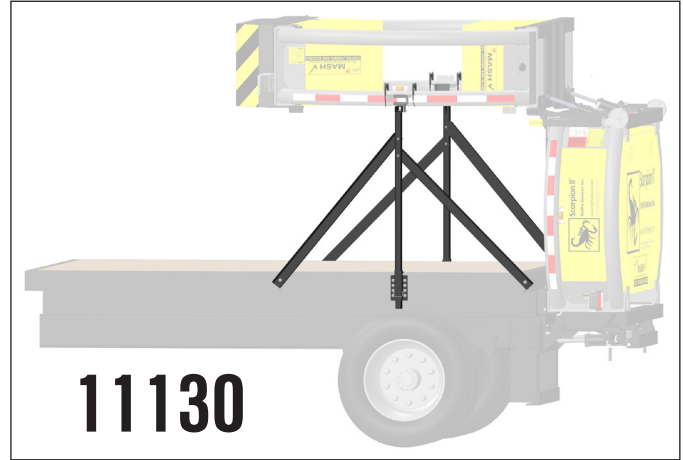
2 needed
per side



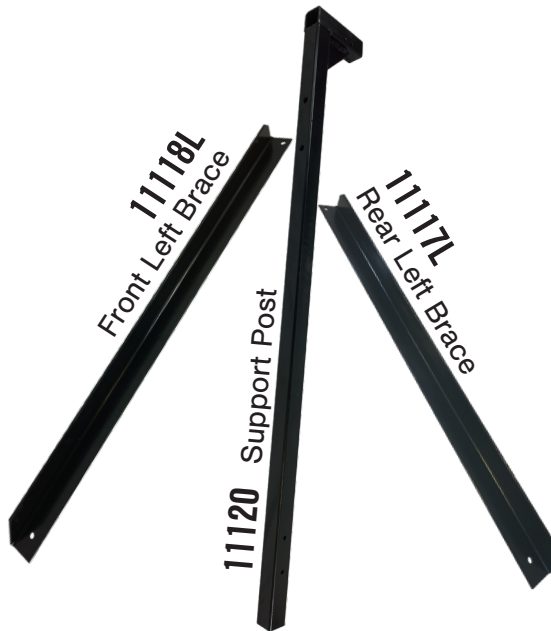
Top
Assembly

11040C

1 needed per side

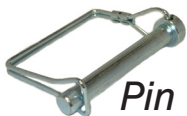


11130



Additional Hardware (Not Shown)

Part No.	Description	Qty
60015	Bolt, 1/2"-13 x 1-1/2"	20
11127	Bolt, 1/2"-13 x 3-1/2"	4
12024	Locknut, 1/2"-13	24
11128	Washer, 1/2" SAE, 17/32" ID, 1-1/16" OD	40
12055	Bolt, 3/8"-16 x 3"	2
12056	Locknut, 3/8"-16	2
26048	Washer, 3/8" SAE	8



Pin
90005-LP

1 needed per side



Support
Post
Bracket

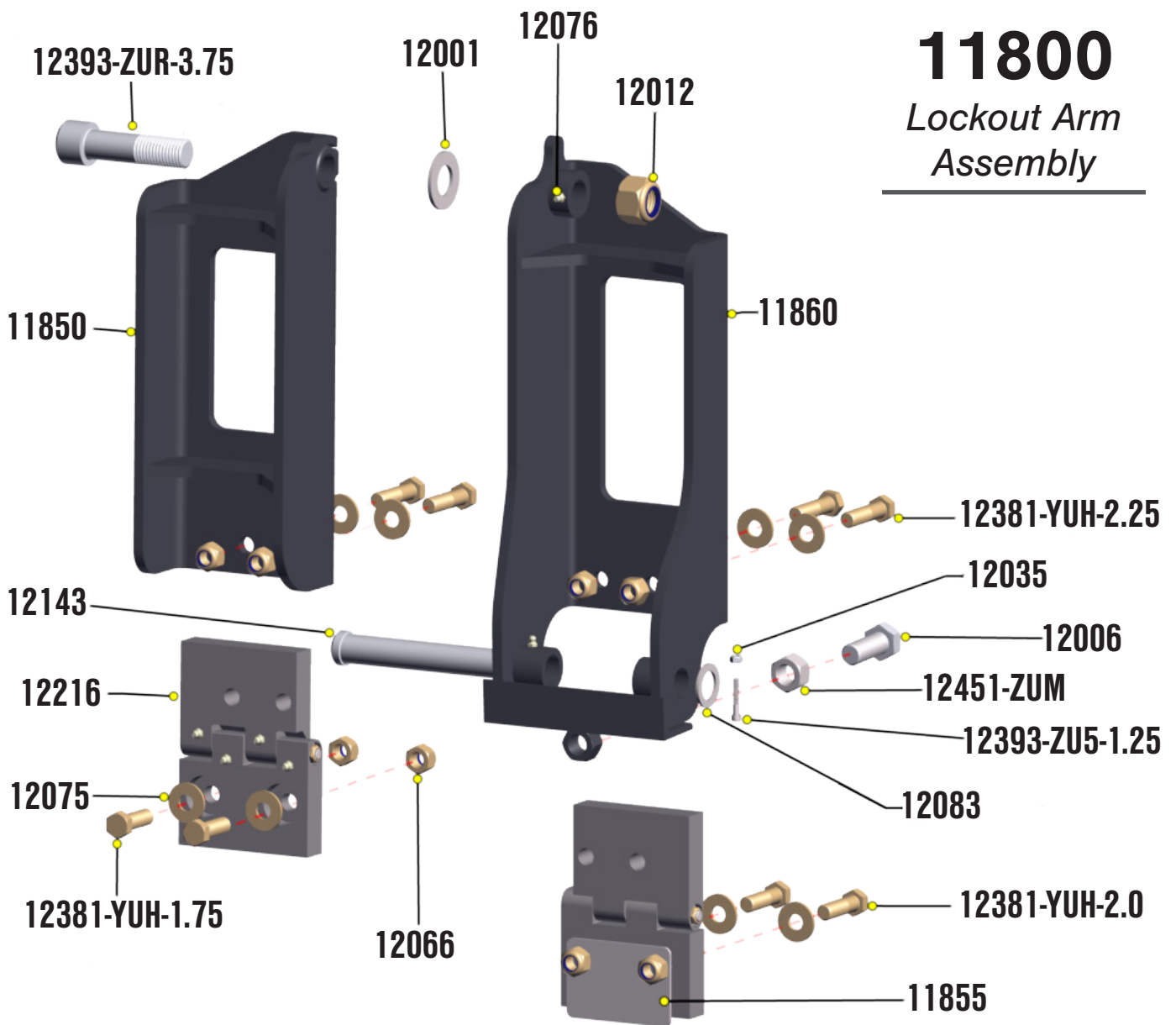
11123

1 needed per side

Lockout Arm Hardware

For TraFFix MASH Scorpion II® TMA Only

Hardware Placement Reference Drawing



All parts on this page



Lockout Arm Hardware

For TrafFix MASH Scorpion II® TMA Only

Hardware Part Number Reference Table

Description	Part Number	Qty.
Bolt, HHCS, 3/4"-10 x 2"	12006	1
Bolt, HHCS, 9/16"-12 x 1.75" Lg	12381-YUH-1.75	2
Bolt, HHCS, 9/16"-12 x 2" Lg	12381-YUH-2.0	2
Bolt, HHCS, 9/16"-12 x 2.25" Lg	12381-YUH-2.25	4
Bolt, SHCS, 1"-8 x 3.75" Lg	12393-ZUR-3.75	1
Bolt, SHCS, 10-32 x 1.25" Lg	12393-ZU5-1.25	1
Clevis Pin, 1" x 7" Lg	12143	1
Grease Fitting, 1/4"-28	12076	12
Locknut, Hex, 1"-8	12012	1
Locknut, Hex, 9/16"-12	12066	8
Locknut, Hex, 10-32	12035	1
Lockout Arm Assembly, Scorpion II	11800	1
Lockout Arm, Cartridge Side, Scorpion II	11850	1
Lockout Arm, Strut Side, Scorpion II	11860	1
Nut, Hex, 3/4"-10, Gr 5	12451-ZUM	1
Steel Billet	12216	2
Washer, Flat, 1" SAE	12001	1
Washer, Flat, 1/2" USS	12075	8
Washer, Shim, 1.006" ID	12083	1
Wear Plate, Lockout Arm Stop	11855	1

All parts on this page



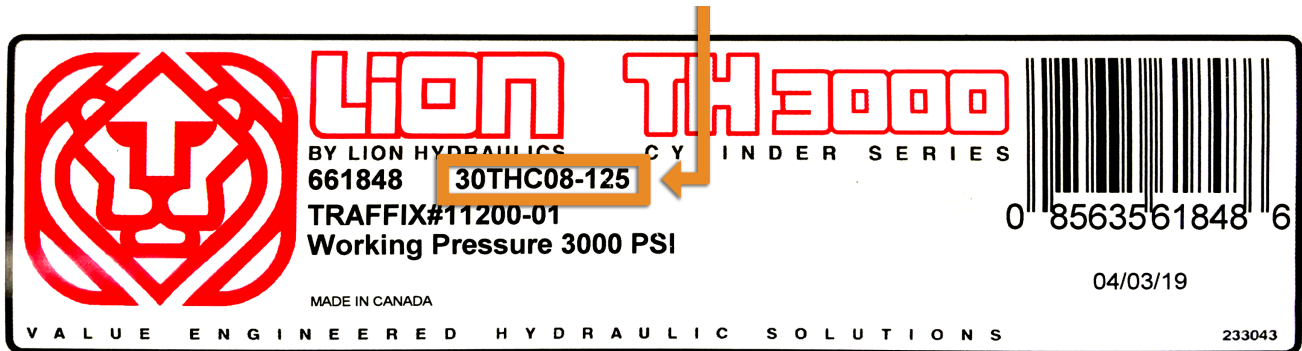
Hydraulic Seal Kit

For MASH and NCHRP-350 Scorpion® TMAs

Finding your cylinder's model and bore diameter

To find which seal kit you need,
look at the first four characters of the
model number on the label of your cylinder.

Model Number



The first two numbers, divided by 10, gives the bore diameter.

The following two letters are the model.

Don't worry about the characters after the TH or TX.

For example: **30TH** → **TH** Model, **3.0"** Bore Diameter

Hydraulic Seal Kit

For MASH and NCHRP-350 Scorpion® TMAs

Selecting a Seal Kit

Use your cylinder's model and bore diameter to find which seal kit you need on the table below.

See the previous page for how to find your cylinder's model and bore diameter.

		<i>Cylinder Model</i>	
		TX 2500	TH 3000
<i>Bore Diameter</i>	2"	10638	10638-01
	2.5"	10639	10639-01
	3"	10640	10640-01

Seal Kit Part Number



10638
TX, 2"



10639
TX, 2.5"



10640
TX, 3"



10638-01
TH, 2"



10639-01
TH, 2.5"





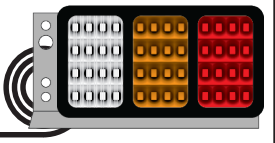

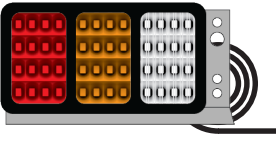

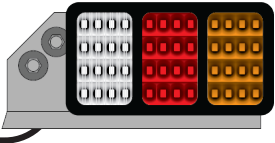
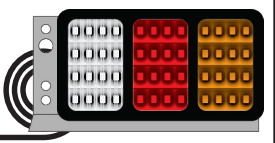
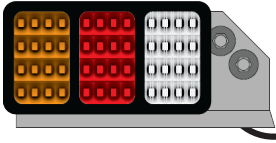
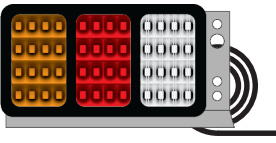

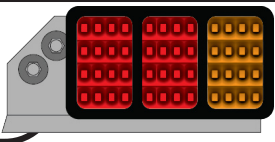
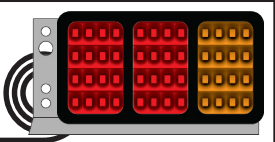
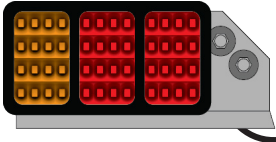
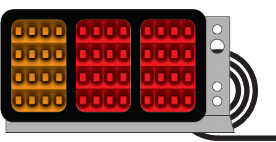
10640-01
TH, 3"

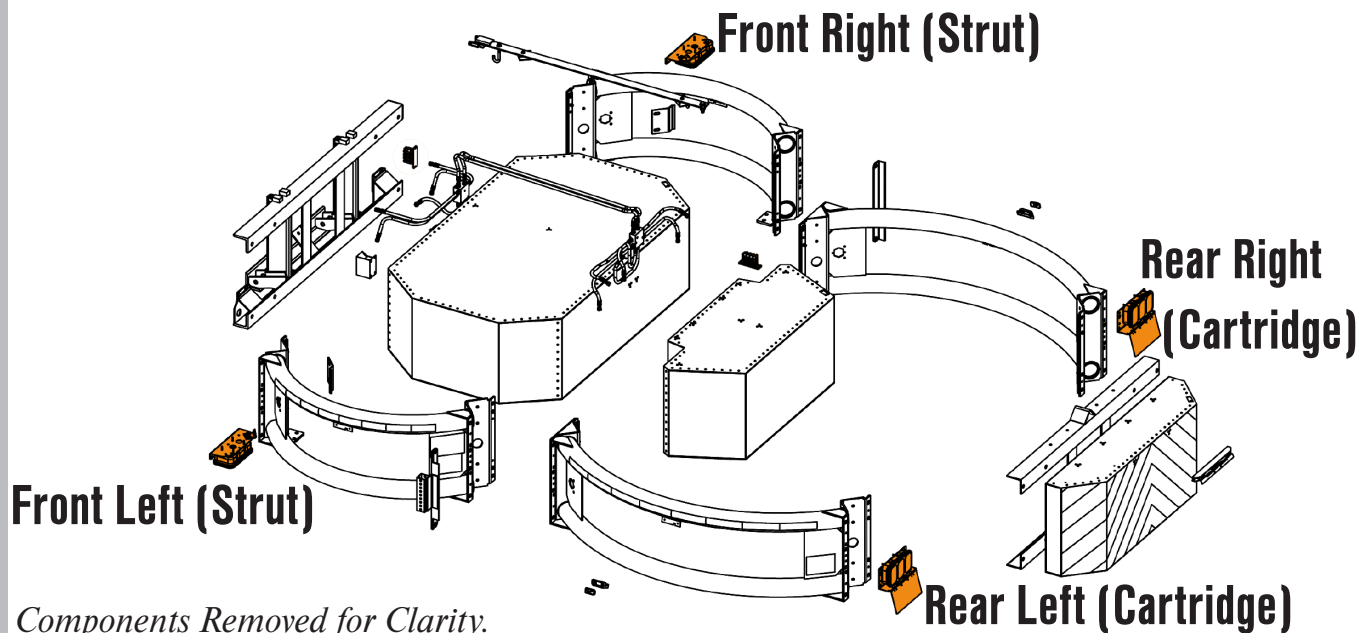
Appendix B

Alternate Configurations

International Light Assemblies

For MASH and NCHRP-350 Scorpion® TMAs

Color Pattern	Visible when Stored	Visible when Deployed
RYW 	Right, Front 10505C-LED-RYW 	Right, Rear 10505B-LED-RYW 
	 Left, Front 10504C-LED-RYW	 Left, Rear 10504B-LED-RYW
YRW 	Right, Front 10505C-LED-YRW 	Right, Rear 10505B-LED-YRW 
	 Left, Front 10504C-LED-YRW	 Left, Rear 10504B-LED-YRW
YRR 	Right, Front 10505C-LED-YRR-01 	Right, Rear 10505B-LED-YRR-01 
	 Left, Front 10504C-LED-YRR-01	 Left, Rear 10504B-LED-YRR-01



Reflective Sheeting

Includes Module A with One Color of Reflective Sheeting

10400A

4" Yellow Sheeting on Black Module
Avery MVP Sheeting



10400A-B1AV-6Y

6" Yellow Sheeting on Black Module
Avery Hi-Intensity Prismatic Sheeting



10400A-B1DG-6O

6" Orange Sheeting on Black Module
3M Diamond Grade Sheeting



10400A-B1DG-8O

8" Orange Sheeting on Black Module
3M Diamond Grade Sheeting



10400A-W1AV-6R

6" Red Sheeting on White Module-Front
Avery Hi-Intensity Prismatic Sheeting



10400A-W1DG-4O

4" Orange Sheeting on White Module-Front
3M Diamond Grade Sheeting



One Color: Foreground color is reflective sheeting, non-reflective module as background color.

Reflective Sheeting

Includes Module A with Two Colors of Reflective Sheeting

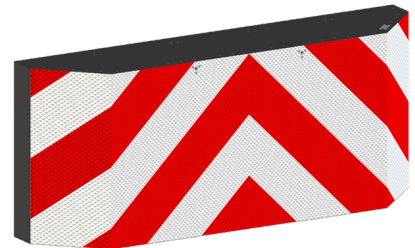
10400A-B1HI-6OW

6" Orange and White Sheeting
3M Hi-Intensity Prismatic Sheeting



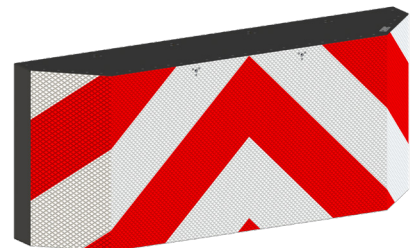
10400A-B1AV-6RW

6" Red and White Sheeting
Avery Hi-Intensity Prismatic Sheeting



10400A-B1AV-8RW

8" Red and White Sheeting
Avery Hi-Intensity Prismatic Sheeting



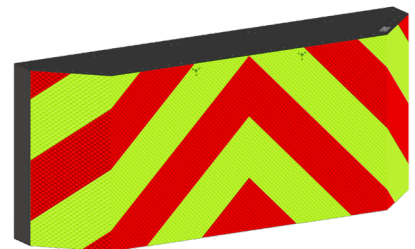
10400A-B1AV-6RY

6" Red and Yellow Sheeting
Avery Hi-Intensity Prismatic Sheeting



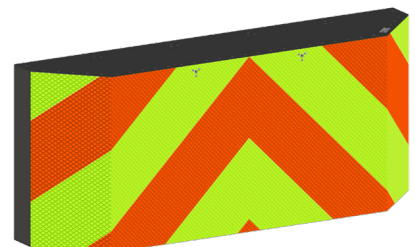
10400A-B1OR-6RL

6" Red and Lime Sheeting
Oralite V98 Sheeting



10400A-B1DG-8OL

8" Orange and Lime Sheeting
3M Diamond Grade Sheeting



Two Colors: Foreground and background sheeting colors are both reflective.

Appendix C

Mounting

TMA Mounting Options

These attach the TMA to your truck's frame rails.

10350 Standard Mount

*Semi-permanent
Mount for TMAs.*



Fast-Trak Mounting System

*For easier attachment,
removal, or swapping
of TMAs.*



*See the following pages for more info
about Fast-Trak Configurations. →*

Fast-Trak Mounting

Truck-Side Trak Mounting Configurations

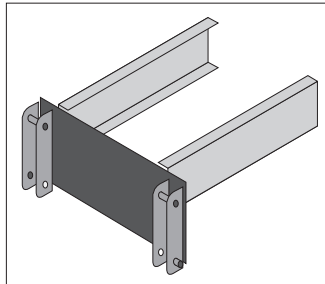
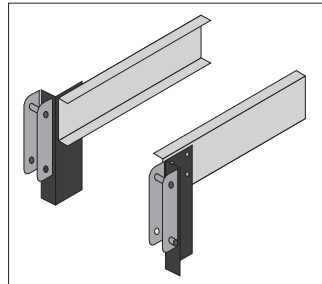
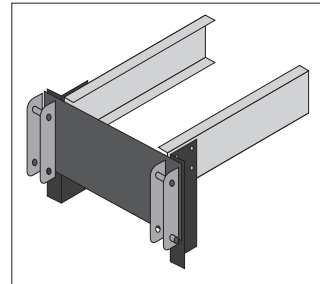


Plate Mounting
with Traks



Angle Mounting
with Traks



**Plate & Angle
Mounting****
with Traks



**Traks-Only
Mounting*****

See next three pages to order kits with Fast-Trak extensions and mounting, or individual parts.

Which type of mounting do you need?

You will probably need a plate or a set of angles to mount the Traks on your truck frame rails. *Plate Mounting* is the most common. However, if something is blocking the installation of a plate, you may want to opt for *Angle Mounting*. See the next two Extension pages to order Extensions with Mounting, or see the hardware page to order Mounting by itself.

** Plate and Angle:

Order an *Extension with Angle Mounting*.

Add *Mounting Plate* (11141-01) as a line item.

*** The *Extension Frame with Traks* and *Extension Frame only* options are for those who already have mounting partially or fully installed. A truck must have a set of Traks installed in order to support a Fast-Trak connection.

Fast-Trak Extension Lengths

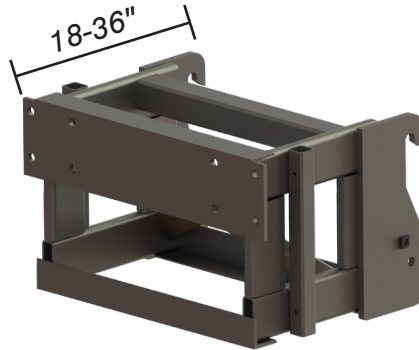
18" and above are Arrowboard Lift Compatible



Short (6-12")

Extension Frame

*Cannot incorporate
Arrowboard Vertical Lift*



Long (18-36")

Extension Frame

*Includes Mounting Tubes
for Arrowboard Vertical Lift
Arrowboard Vertical Lift
is sold separately.*



11160A

*Arrowboard Vertical Lift
(AVL) for Fast-Trak
Connects to Fast-Trak
Arrowboard Mounting Tubes.*

Standard Configurations

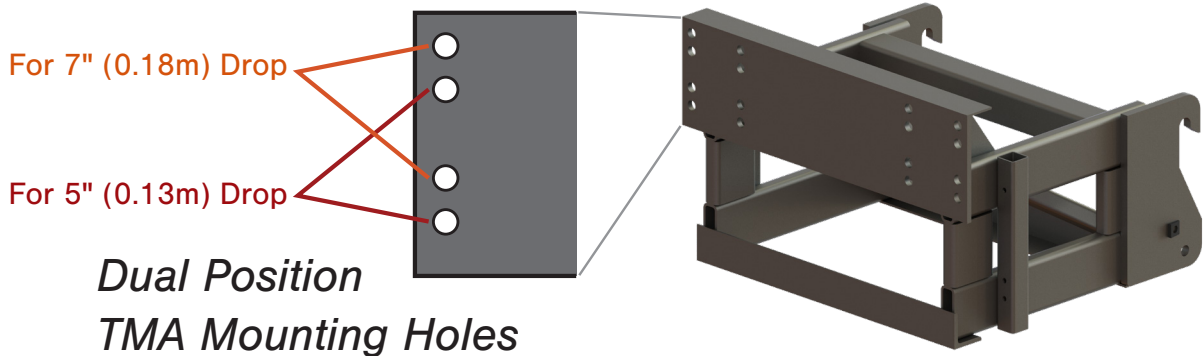
Mounting Type Included with Extension Frame:

	Frame with Plate & Traks	Frame with Angles & Traks	Frame with Traks Only	Frame Only
6" *	11140-06	11145-06	11135-06	11142-06
12" *	11140-12	11145-12	11135-12	11142-12
18"	11150-18	11155-18	11160-18	11152-18
24"	11150-24	11155-24	11160-24	11152-24
30"	11150-30	11155-30	11160-30	11152-30
36"	11150-36	11155-36	11160-36	11152-36

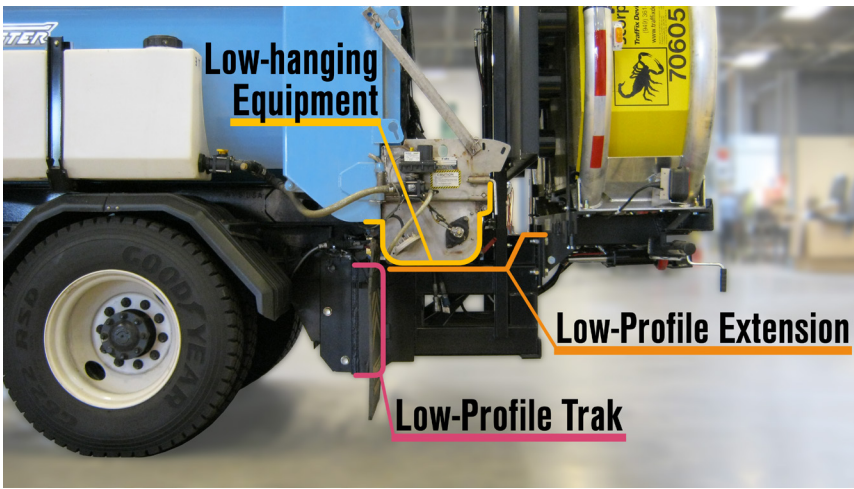
** Cannot incorporate Arrowboard Vertical Lift*

Low Profile Extension Frame

For trucks with low-hanging equipment



Low-Profile Extension Frame



Do you need Low-Profile?

If you have a truck with equipment on the back that hangs down lower than the truck bed, you probably need a Low-Profile Extension Frame.

Low-Profile Configurations

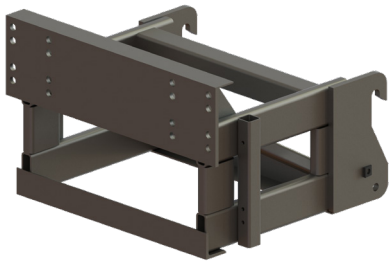
Mounting Type Included with Low-Profile Extension Frame:

	Frame with Plate & Traks	Frame with Angles & Traks	Frame with Traks Only	Frame Only	
Length	12"	11170-12	11175-12	11180-12	11171-12
	18"	11170-18	11175-18	11180-18	11171-18
	24"	11170-24	11175-24	11180-24	11171-24
	30"	11170-30	11175-30	11180-30	11171-30
	36"	11170-36	11175-36	11180-36	11171-36

18-36" Extensions include Mounting Tubes for Arrowboard Vertical Lift. AVL sold separately.

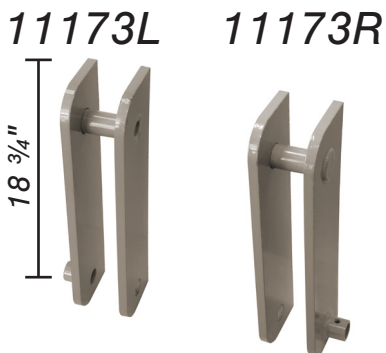
Fast-Trak Hardware

and Individual Components



	Low-Profile Extensions
12"	11171-12
18"	11171-18
24"	11171-24
30"	11171-30
36"	11171-36

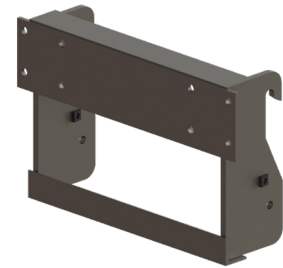
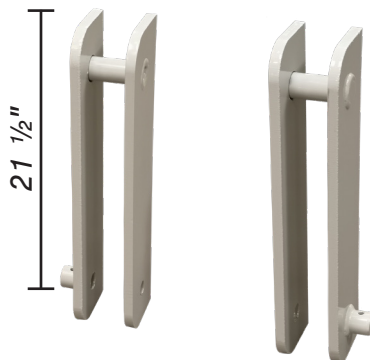
Low-Profile Traks*



	Long Extensions
18"	11152-18
24"	11152-24
30"	11152-30
36"	11152-36

Standard Traks*

11146L 11146R



	Short Extensions
6"	11142-06
12"	11142-12



10934-FTSC

Locking Pin



12058

**Standard and Low-Profile Traks are not interchangeable!*

Mounting Plate

11141-01



Bolt
12129



Nut
12012

Mounting Angles

10355

10354



Left



Right

Notes

Notes

**TraFFix
Devices Inc.**



Engineered Products for Safer Highways

ScorpionHelp@traffixdevices.com

(949) 361-5663

© 2023 TraFFix Devices