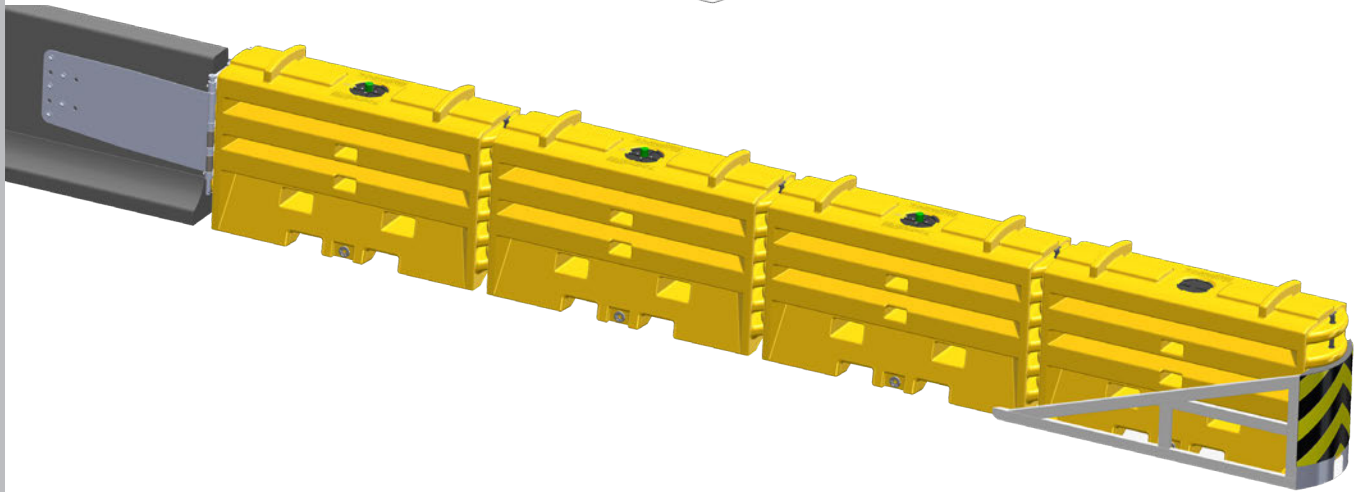


Parts Guide

For SLED & SLED mini



TraFFix
Devices Inc. 
Engineered Products for Safer Highways
160 Avenida La Pata
San Clemente, CA 92673

This page intentionally left blank.

Table of Contents

Section 1: SLED

Configurations

TL-3	06
TL-2 and TL-1	07

Specifications

SLED Module	08
CIS	09

Transitions

Concrete	10
W-Beam Guardrail	11
Zoneguard	12
BG800 & HV2	13

Hardware	14
----------------	----

Section 2: SLED mini

Configurations

TL-2	17
------------	----

Specifications

SLED mini Module	18
Hardware & CIS	19

Transitions

Concrete	20
----------------	----

Section 3: Object Marker	23
--------------------------------	----

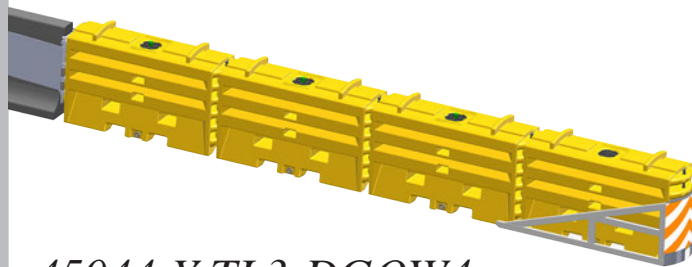
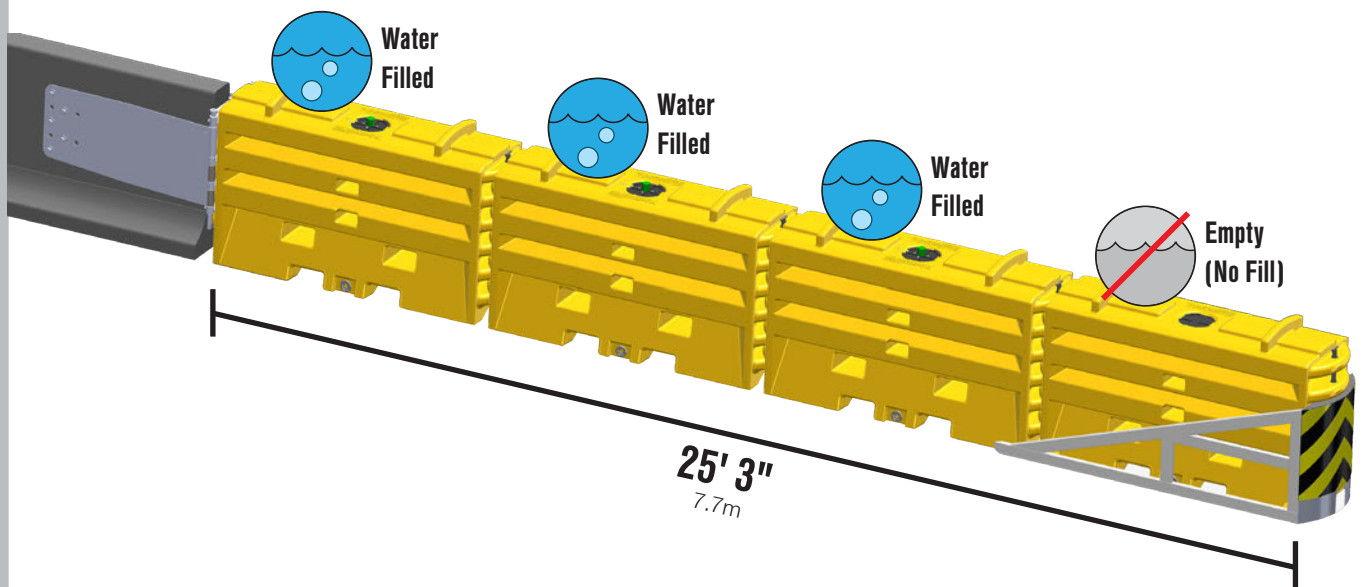
This page intentionally left blank.

Section 1: SLED

SLED[®]
Sentry Longitudinal Energy Dissipater



SLED TL-3 Configuration

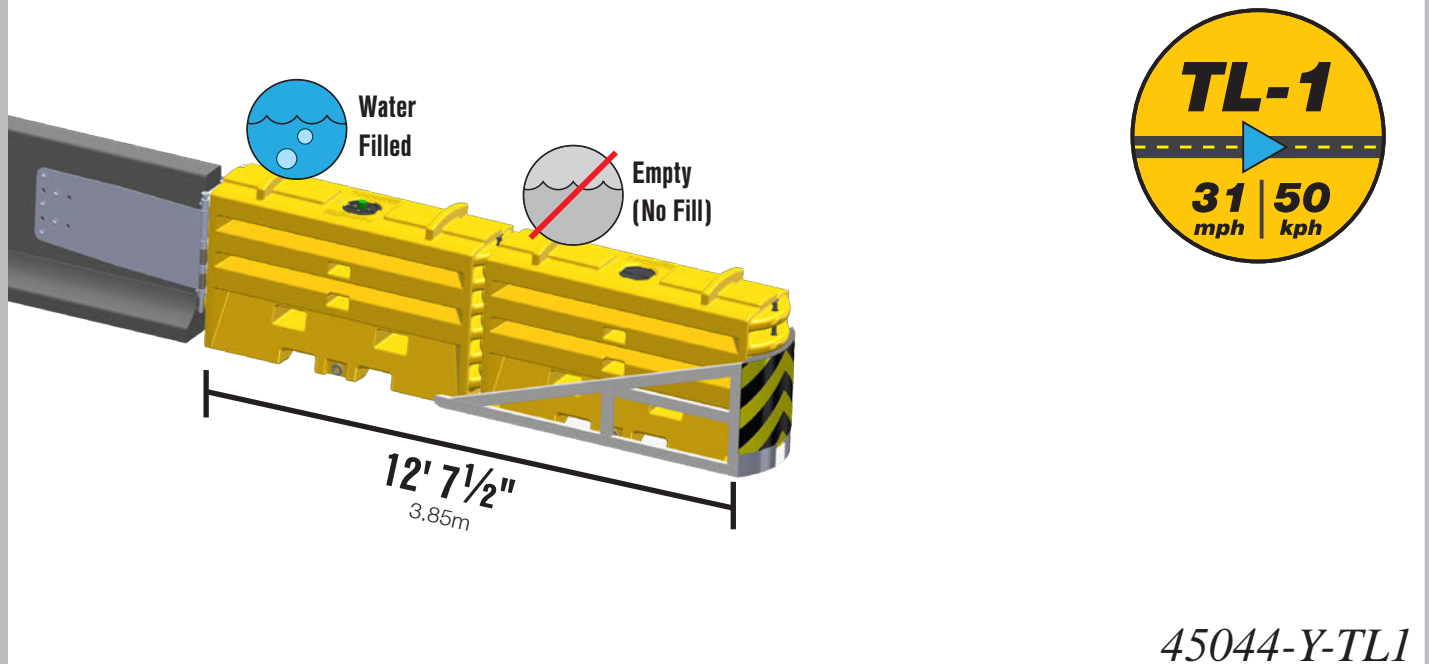
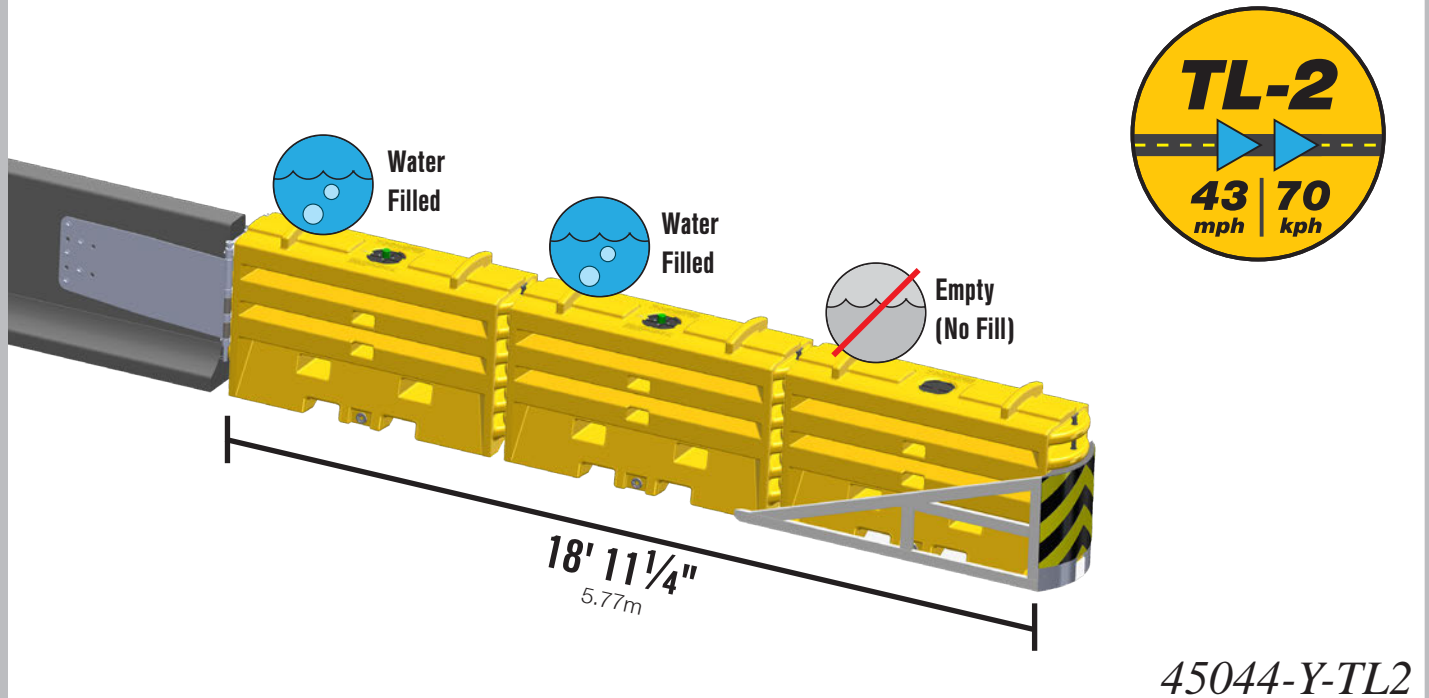


45044-Y-TL3-DGOW4

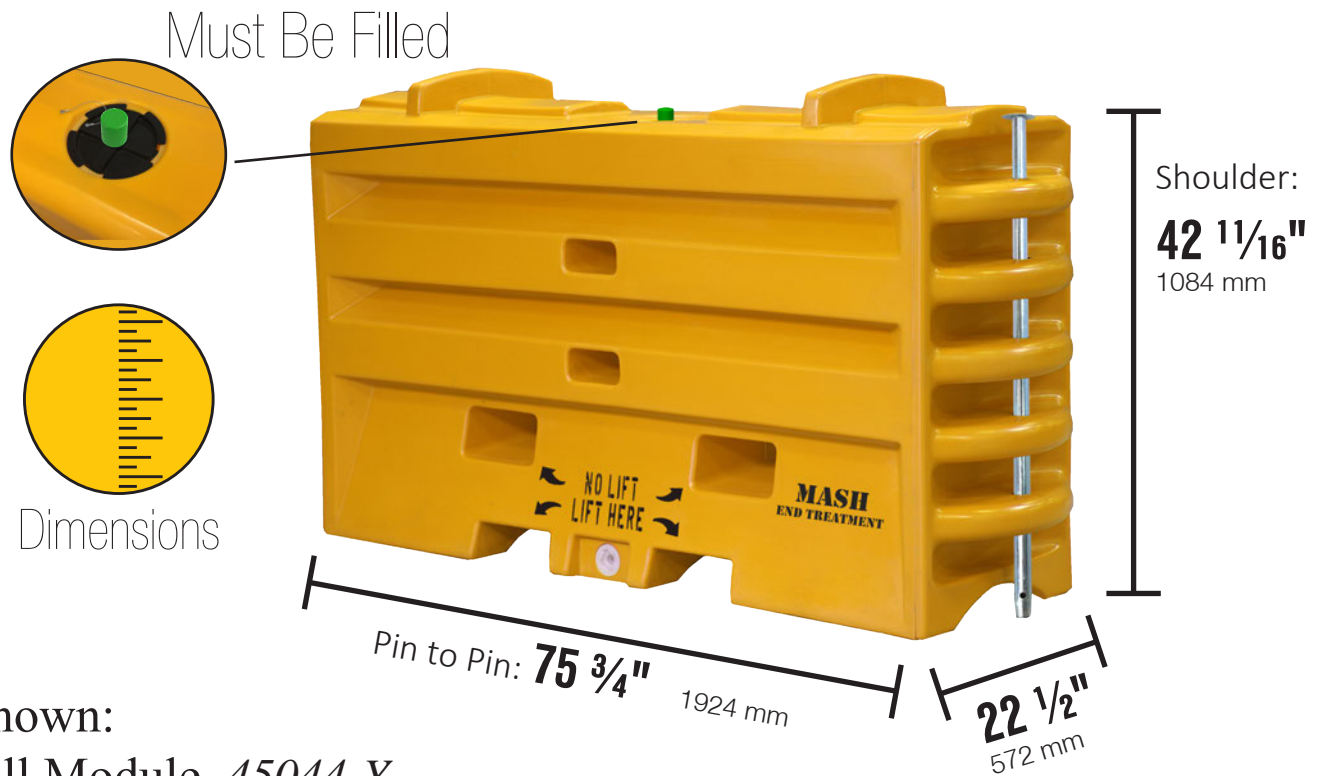
Also Available In
Orange and White
Object Marker

45044-Y-TL3

SLED TL-1/TL-2 Configuration



SLED Water Filled Module



Shown:
Fill Module. 45044-Y

All SLED Modules



Empty Weight:
165 lbs (75 kg)



Material:
Polyethylene

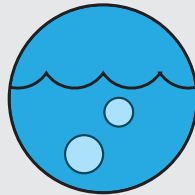


Dimensions, Material, and
Empty Weight are the same
for Fill and No-Fill Modules.

Fill Module Only



Filled Weight:
2000 lbs (907 kg)



Water Volume:
220 Gal (833 L)



Float Cap
**Pops up when
filled**

SLED No-Fill Module

No-Fill Cap

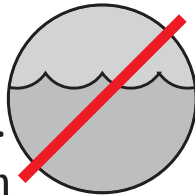


No-Fill Module

Logo Shown



No-Fill Holes



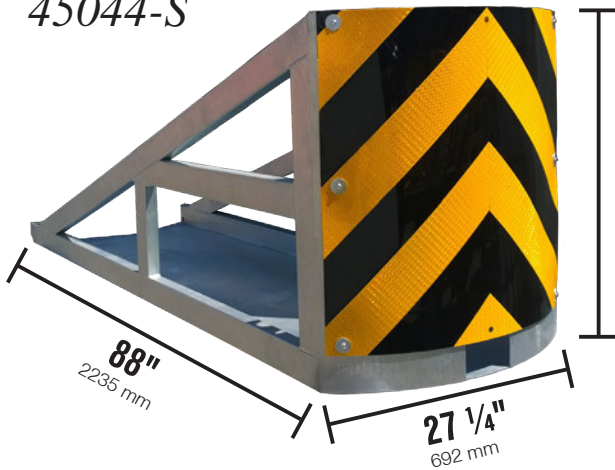
Cannot Be Filled.
Must be used with
the CIS.



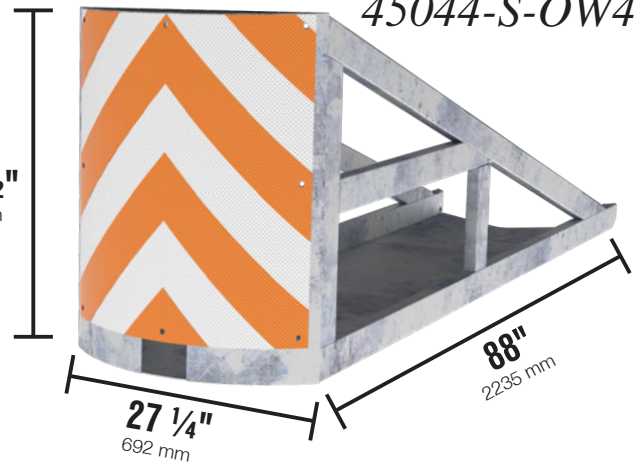
No Fill Module. 45044-YH

Containment Impact Sled (CIS)

45044-S



45044-S-OW4



45044-Y-CIS



45044-Y-CIS-DGOW4

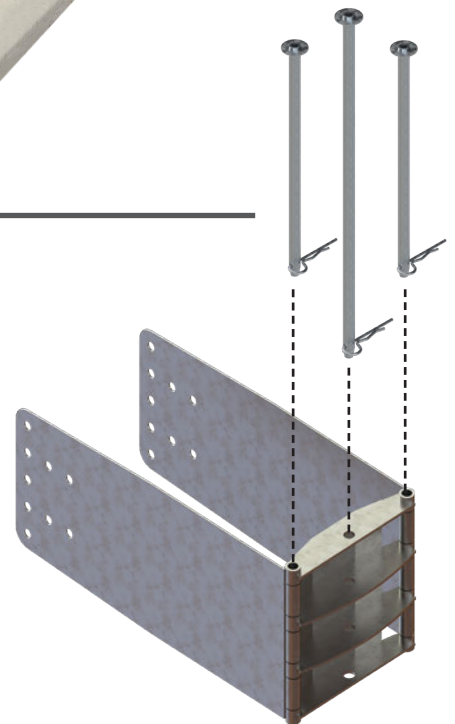
SLED Transition to Concrete



45044-T

SLED to Concrete Barrier
Transition Kit

45050
Anchor Bolt
3/4" x 4-1/2"



45150

SLED Standard
Transition Panel



45148-CP

Long Drop Pin
With Keeper Pin
(Center)

45147-CP

45147-CP

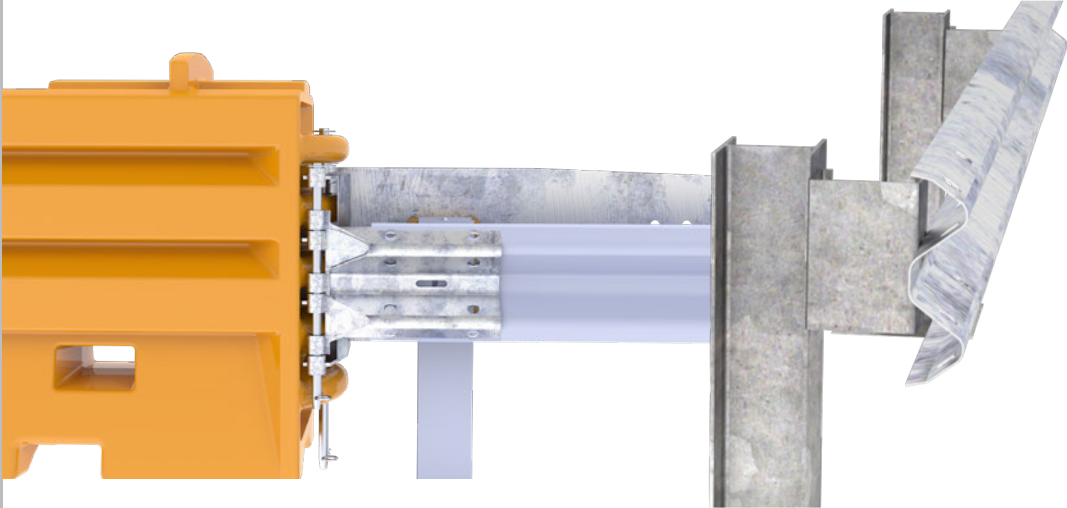
Short Drop Pin
With Keeper Pin
(Sides)

45131

Transition Frame 20"



SLED Transition to W-Beam



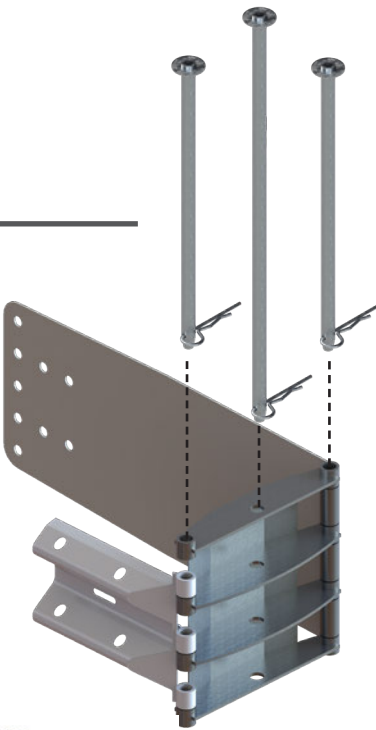
45160-W
SLED to W-Beam
Transition Panel



45150
SLED Standard
Transition Panel



45044-T-W
SLED to W-Beam
Transition Kit



45148-CP →
Long Drop Pin
With Keeper Pin
(Center)

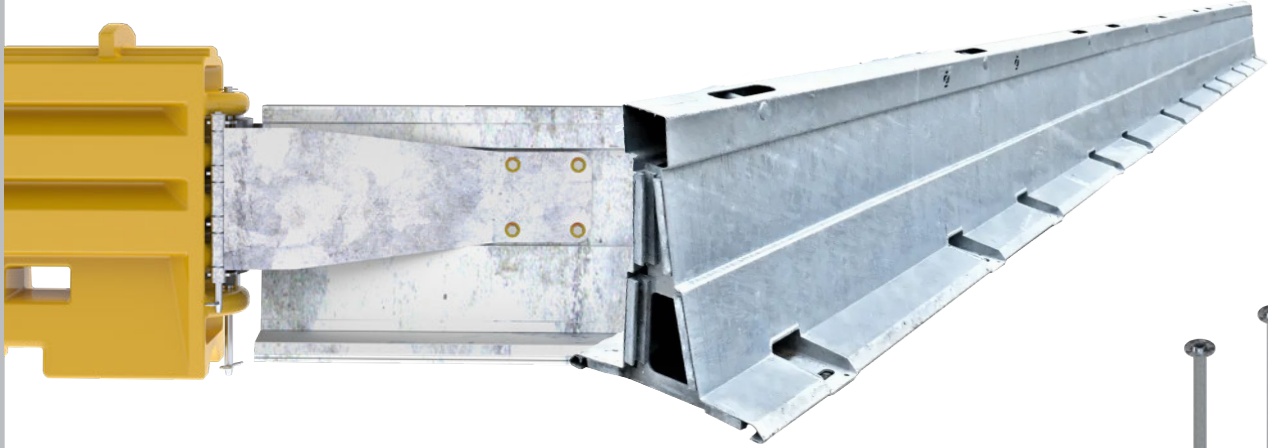
←
45147-CP
Short Drop Pin
With Keeper Pin
(Sides)

45147-CP



←
45131
Transition Frame 20"

SLED Transition to Zoneguard

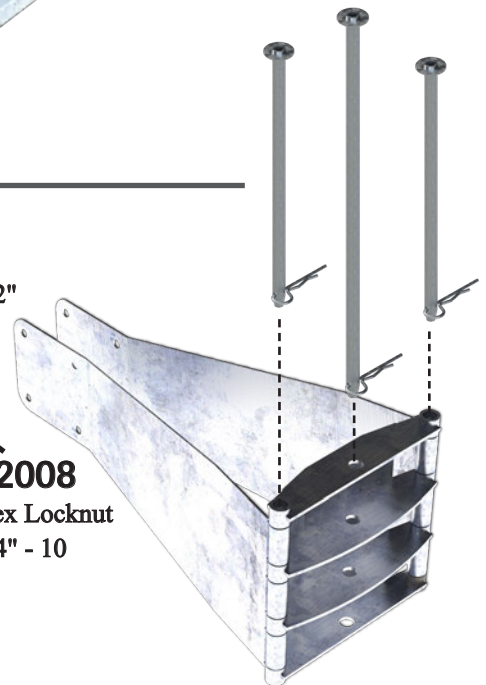


45044-TZ SLED to Zoneguard Transition Kit

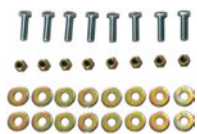
12060
Flat Washer
3/4" - 10 x 2-1/2"

12007
Bolt
3/4" - 10 x 2-1/2"

12008
Hex Locknut
3/4" - 10



45155-KIT
SLED Transition
Adaptor Kit



45155 SLED to Zoneguard Transition Panel



45148-CP
Long Drop Pin
With Keeper Pin
(Center)

45147-CP
Short Drop Pin
With Keeper Pin
(Sides)

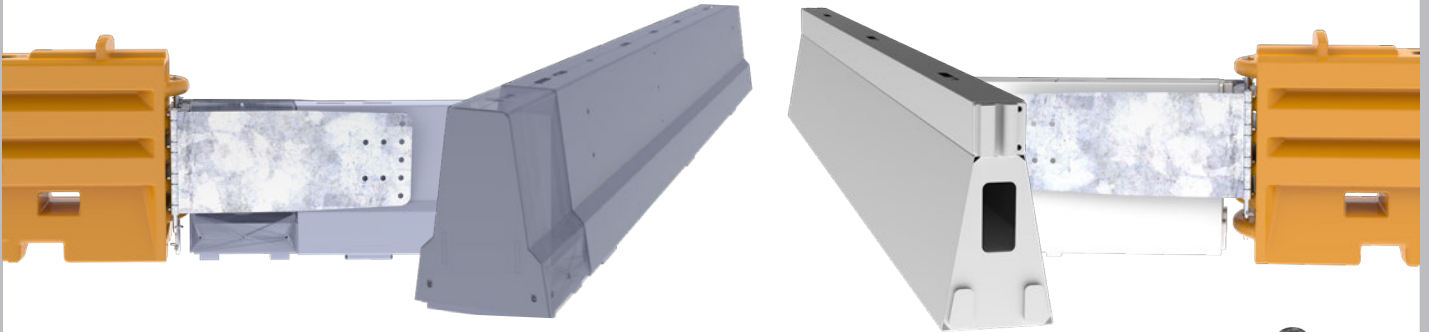
45147-CP

45131

Transition Frame 20"

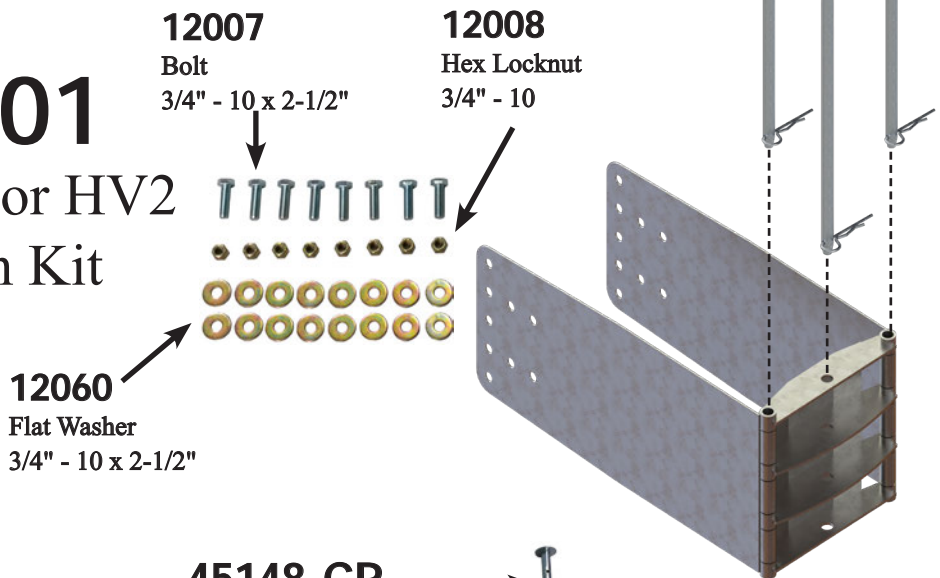


SLED Transition to BG800 & HV2



45044-T-01

SLED to BG800 or HV2
Barrier Transition Kit



12007
Bolt
3/4" - 10 x 2-1/2"

12008
Hex Locknut
3/4" - 10

12060
Flat Washer
3/4" - 10 x 2-1/2"

45150

SLED Standard
Transition Panel



45148-CP
Long Drop Pin
With Keeper Pin
(Center)

45147-CP

45147-CP
Short Drop Pin
With Keeper Pin
(Sides)

45131
Transition Frame 20"



SLED Transition Hardware



45043-CP
T-Pin with Keeper Pin

45032-PN
Keeper Pin (R-Clip)



45033-RC-B
Plastic Drain Plug



Lanyard for Float Lid
13272



45032-DPT
Drain Plug Socket Tool



45041
Rivet



18009-B-I
Drive By
Float Lid



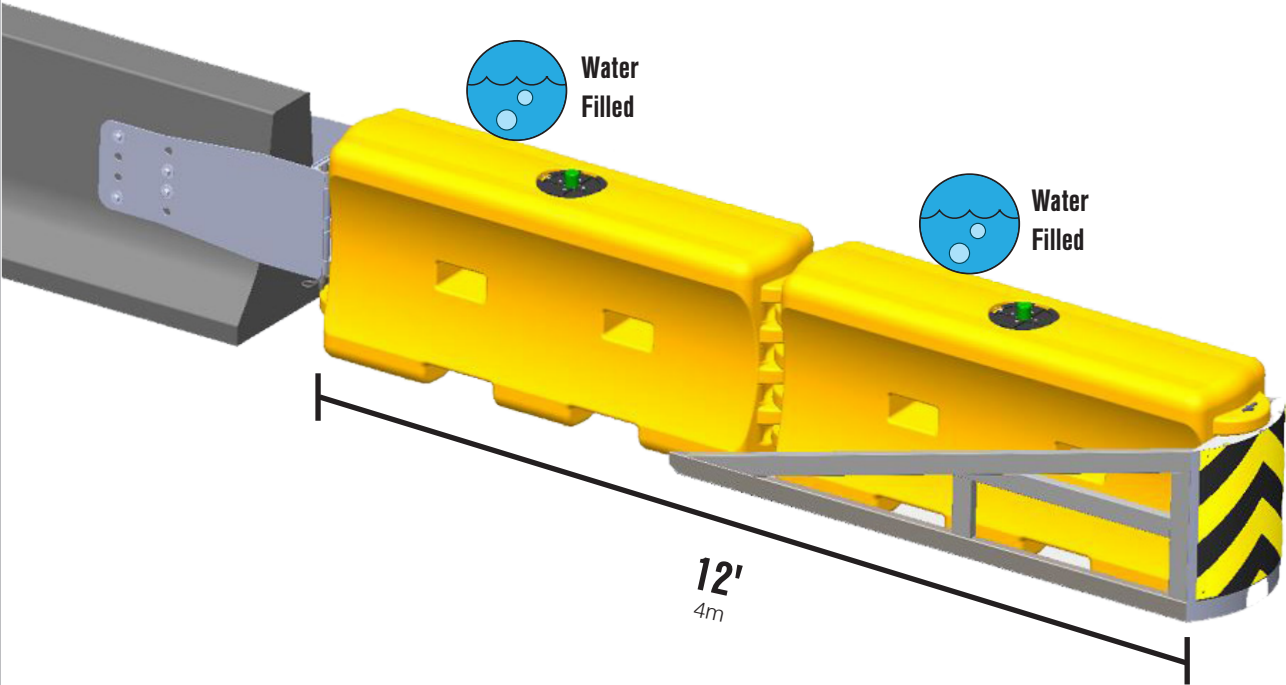
18009-BLK
No Fill Cap

This page intentionally left blank.

Section 2: SLED mini



SLED mini TL-2 Configuration



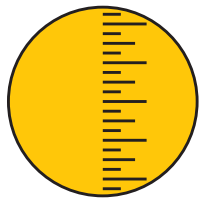
45332-Y-TL2

SLED mini Filled Module

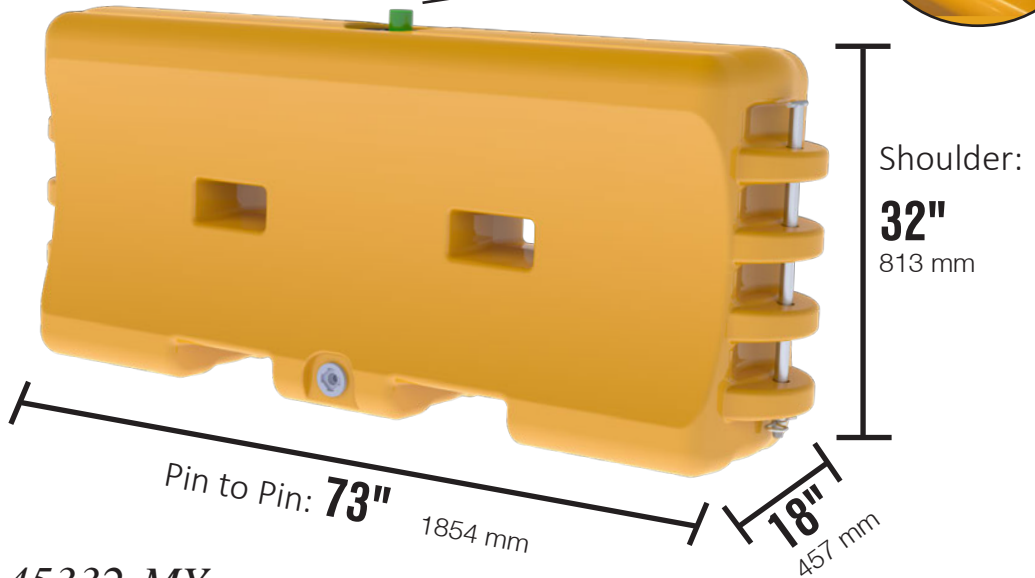
Must Be Filled.

CIS utilizes filled module.

Must Be Filled



Dimensions



Shown:

Fill Module. *45332-MY*

SLED mini Module



Empty Weight:
100 lbs (45 kg)



Material:
Polyethylene

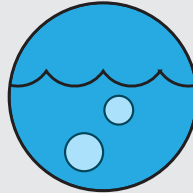


Dimensions, Material, and Empty Weight are the same for Fill and No-Fill Modules.

Filled SLED mini Module



Filled Weight:
1100 lbs (499 kg)

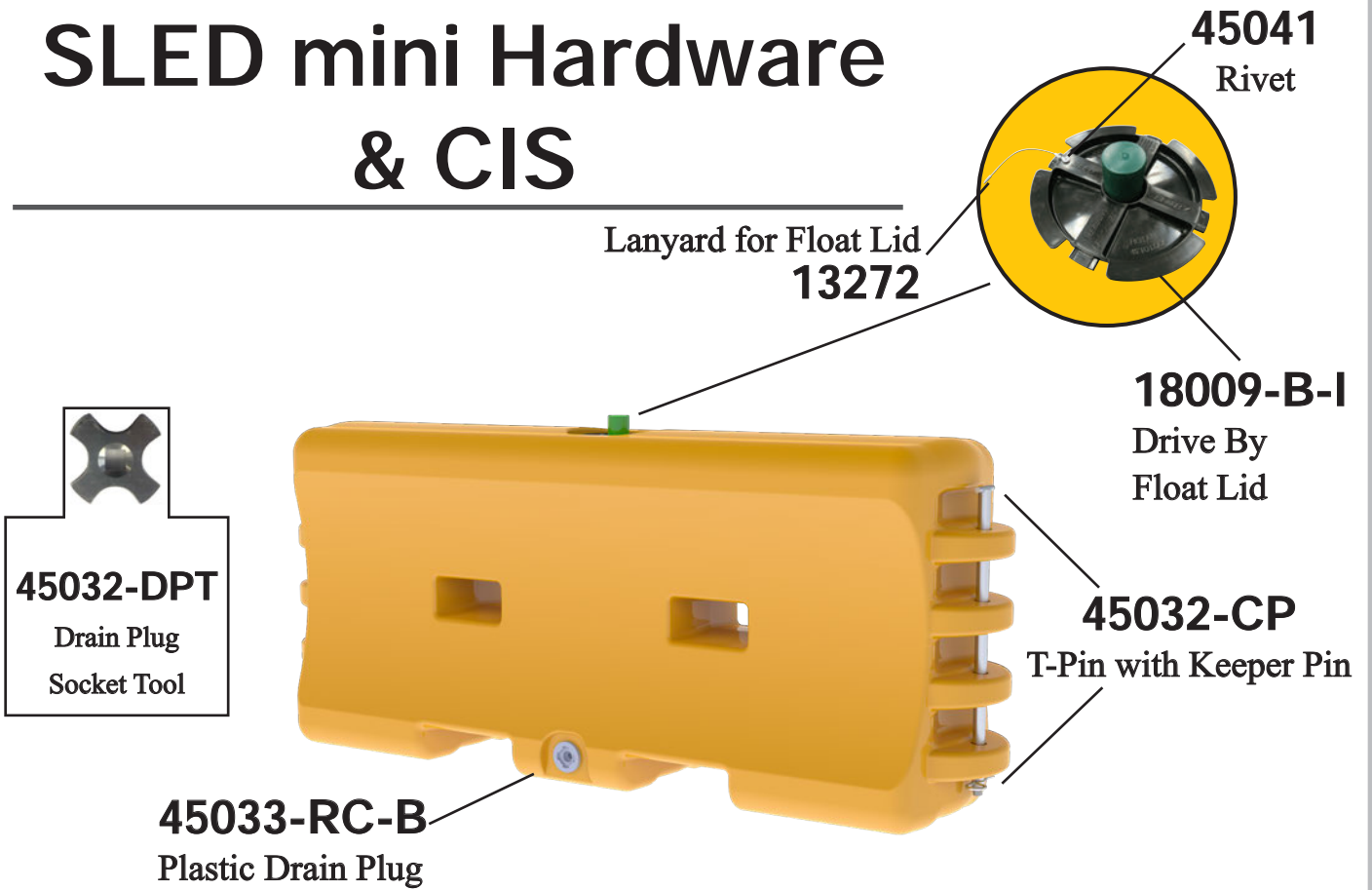


Water Volume:
120 Gal (454 L)

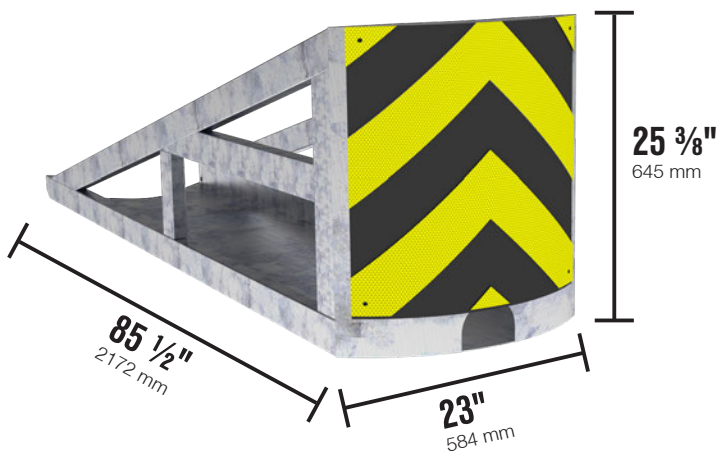


Float Cap
Pops up when filled

SLED mini Hardware & CIS



Containment Impact Sled (CIS)



45032-S

Object Marker Is Reversible

Unbolt and Flip Over to Change Pattern



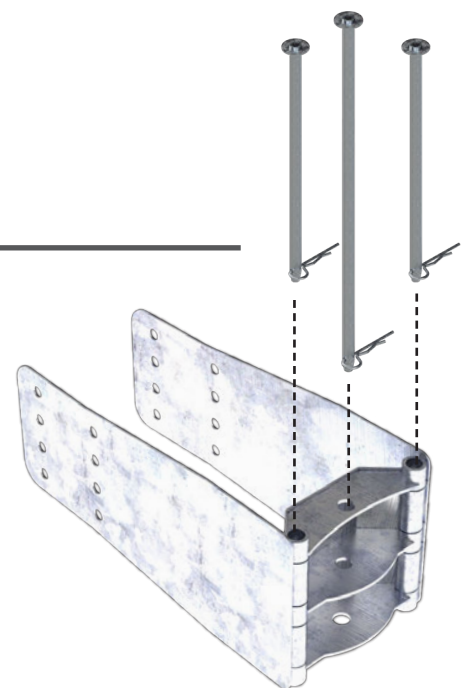
SLED mini Transition to Concrete



45332-T

SLED mini
to Concrete Barrier
Transition Kit

→
45050
Anchor Bolt
3/4" x 4-1/2"



45151

SLED mini
Transition Panel

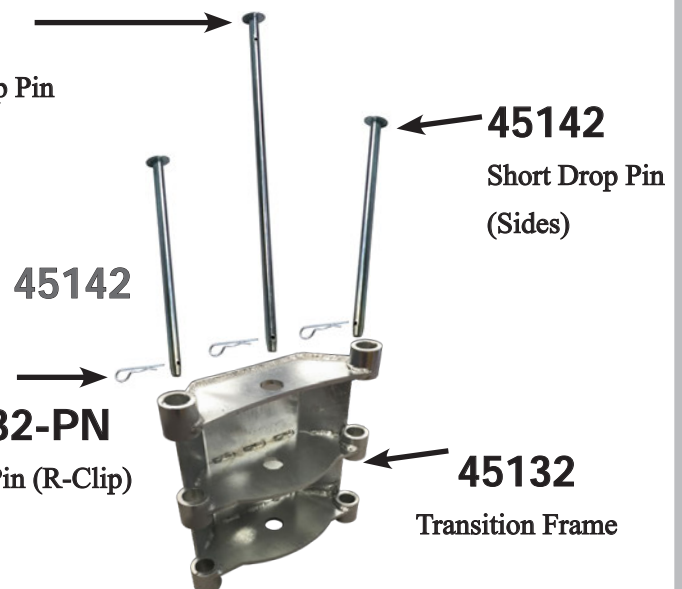


→
45141
Long Drop Pin
(Center)

←
45142
Short Drop Pin
(Sides)

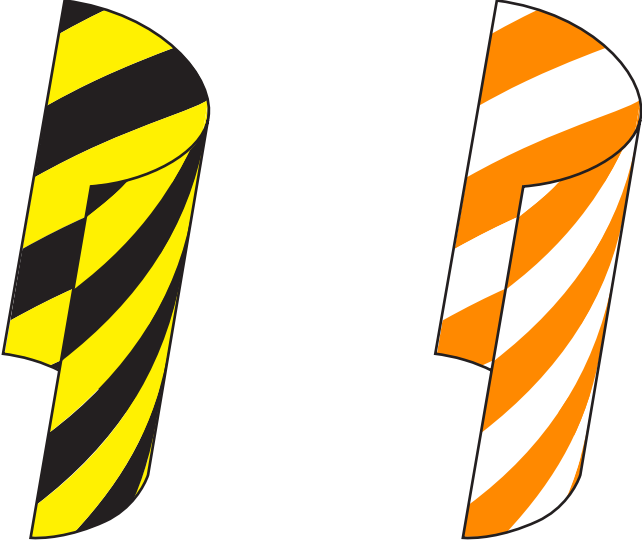
→
45032-PN
Keeper Pin (R-Clip)

←
45132
Transition Frame



This page intentionally left blank.

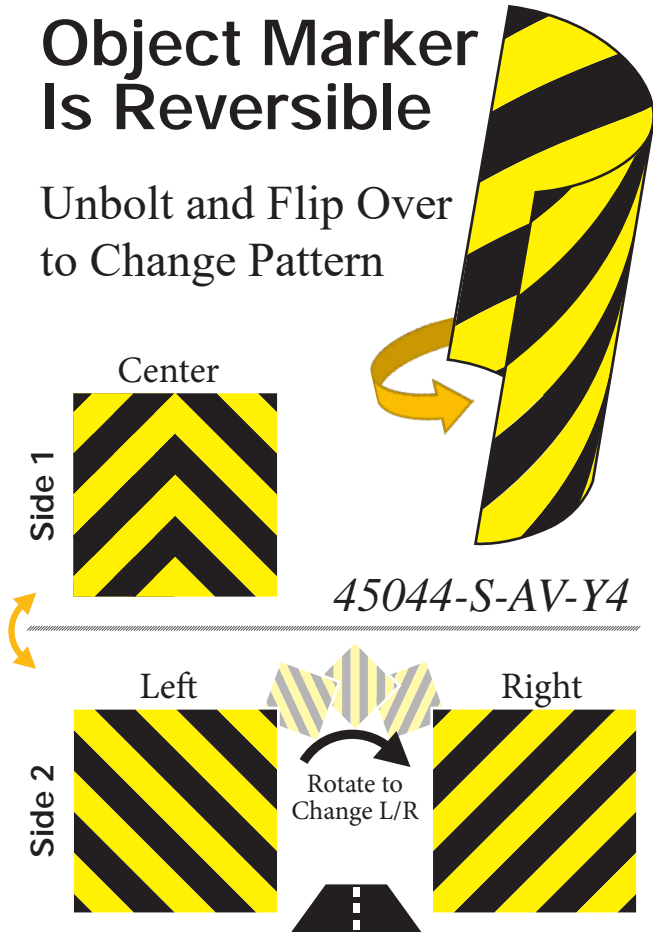
Section 3: Object Marker



Object Marker

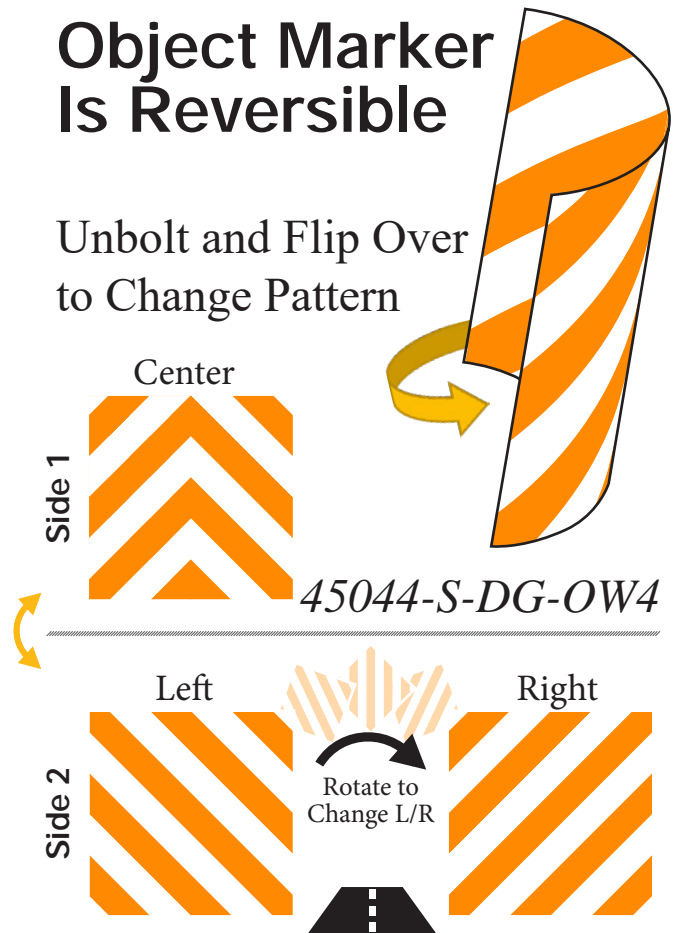
Object Marker Is Reversible

Unbolt and Flip Over to Change Pattern



Object Marker Is Reversible

Unbolt and Flip Over to Change Pattern



Upon request, the reflective sheeting shown can be applied to a SLED mini Object Marker.

**TraFFix
Devices Inc.**



Engineered Products for Safer Highways

(949) 361-5663

© 2024 TraFFix Devices