



U.S. Department
of Transportation
**Federal Highway
Administration**

May 26, 2020

1200 New Jersey Ave., SE
Washington, D.C. 20590

In Reply Refer To:
HSST-1/WZ-404

Mr. Felipe Almanza
TrafFix Devices Inc.
160 Avenida La Pata
San Clemente California 92673

Dear Mr. Almanza:

This letter is in response to your January 28, 2020 request for the Federal Highway Administration (FHWA) to review a roadside safety device, hardware, or system for eligibility for reimbursement under the Federal-aid highway program. This FHWA letter of eligibility is assigned FHWA control number WZ-404 and is valid until a subsequent letter is issued by FHWA that expressly references this device.

Decision

The following device is eligible within the length-of-need, with details provided in the form which is attached as an integral part of this letter:

- TrafFix Economy Type III Barricade

Scope of this Letter

To be found eligible for Federal-aid funding, new roadside safety devices should meet the crash test and evaluation criteria contained in the American Association of State Highway and Transportation Officials' (AASHTO) Manual for Assessing Safety Hardware (MASH). However, the FHWA, the Department of Transportation, and the United States Government do not regulate the manufacture of roadside safety devices. Eligibility for reimbursement under the Federal-aid highway program does not establish approval, certification or endorsement of the device for any particular purpose or use.

This letter is not a determination by the FHWA, the Department of Transportation, or the United States Government that a vehicle crash involving the device will result in any particular outcome, nor is it a guarantee of the in-service performance of this device. Proper manufacturing, installation, and maintenance are required in order for this device to function as tested.

This finding of eligibility is limited to the crashworthiness of the system and does not cover other structural features, nor conformity with the Manual on Uniform Traffic Control Devices.

Eligibility for Reimbursement

Based solely on a review of crash test results and certifications submitted by the manufacturer, and the crash test laboratory, FHWA agrees that the device described herein meets the crash test and evaluation criteria of the AASHTO's MASH. Therefore, the device is eligible for reimbursement under the Federal-aid highway program if installed under the range of tested conditions.

Name of system: TraFix Economy Type III Barrier
Type of system: Work Zone
Test Level: MASH Test Level 3 (TL3)
Testing conducted by: KARCO
Date of request: January 28, 2020

FHWA concurs with the recommendation of the accredited crash testing laboratory on the attached form.

Full Description of the Eligible Device

The device and supporting documentation, including reports of the crash tests or other testing done, videos of any crash testing, and/or drawings of the device, are described in the attached form.

Notice

This eligibility letter is issued for the subject device as tested. Modifications made to the device are not covered by this letter. Any modifications to this device should be submitted to the user (i.e., state DOT) as per their requirements.

You are expected to supply potential users with sufficient information on design, installation and maintenance requirements to ensure proper performance.

You are expected to certify to potential users that the hardware furnished has the same chemistry, mechanical properties, and geometry as that submitted for review, and that it will meet the test and evaluation criteria of AASHTO's MASH.

Issuance of this letter does not convey property rights of any sort or any exclusive privilege. This letter is based on the premise that information and reports submitted by you are accurate and correct. We reserve the right to modify or revoke this letter if: (1) there are any inaccuracies in the information submitted in support of your request for this letter, (2) the qualification testing was flawed, (3) in-service performance or other information reveals safety problems, (4) the system is significantly different from the version that was crash tested, or (5) any other information indicates that the letter was issued in error or otherwise does not reflect full and complete information about the crashworthiness of the system.

Standard Provisions

- To prevent misunderstanding by others, this letter of eligibility designated as FHWA control number WZ-404 shall not be reproduced except in full. This letter and the test documentation upon which it is based are public information. All such letters and documentation may be reviewed upon request.
- This letter shall not be construed as authorization or consent by the FHWA to use, manufacture, or sell any patented system for which the applicant is not the patent holder.
- This FHWA eligibility letter is not an expression of any Agency view, position, or determination of validity, scope, or ownership of any intellectual property rights to a specific device or design. Further, this letter does not impute any distribution or licensing rights to the requester. This FHWA eligibility letter determination is made based solely on the crash-testing information submitted by the requester. The FHWA reserves the right to review and revoke an earlier eligibility determination after receipt of subsequent information related to crash testing.

Sincerely,

A handwritten signature in blue ink that reads "Michael S. Griffith". The signature is written in a cursive style with a large initial "M" and "G".

Michael S. Griffith
Director, Office of Safety Technologies
Office of Safety

Enclosures

Request for Federal Aid Reimbursement Eligibility of Highway Safety Hardware

Submitter	Date of Request:	January 28, 2020	<input checked="" type="radio"/> New <input type="radio"/> Resubmission
	Name:	Robby Ramirez	
	Company:	TrafFix Devices, Inc.	
	Address:	160 Avenida LaPata San Clemente CA, 92673	
	Country:	United States	
To:	Michael S. Griffith, Director FHWA, Office of Safety Technologies		

I request the following devices be considered eligible for reimbursement under the Federal-aid highway program.

Device & Testing Criterion - Enter from right to left starting with Test Level

!-!-!

!-!-!

System Type	Submission Type	Device Name / Variant	Testing Criterion	Test Level
'WZ':Crash Worthy Work Zone Traffic Control Devices	<input checked="" type="radio"/> Physical Crash Testing <input type="radio"/> Engineering Analysis	Economy Type III Barricade	AASHTO MASH	TL3

By submitting this request for review and evaluation by the Federal Highway Administration, I certify that the product(s) was (were) tested in conformity with the AASHTO Manual for Assessing Safety Hardware and that the evaluation results meet the appropriate evaluation criteria in the MASH.

Individual or Organization responsible for the product:

Contact Name:	Robby Ramirez	Same as Submitter <input checked="" type="checkbox"/>
Company Name:	TrafFix Devices, Inc.	Same as Submitter <input checked="" type="checkbox"/>
Address:	160 Avenida LaPata San Clemente CA, 92673	Same as Submitter <input checked="" type="checkbox"/>
Country:	United States	Same as Submitter <input checked="" type="checkbox"/>

Enter below all disclosures of financial interests as required by the FHWA 'Federal-Aid Reimbursement Eligibility Process for Safety Hardware Devices' document.

TrafFix Devices Inc. and Applus IDIADA KARCO Engineering LLC share no financial interests between the two organizations. This includes no shared financial interest but not limited to:

- i. Compensation including wages, salaries, commissions, professional fees, or fees for business referrals
- ii. Consulting relationships
- iii. Research funding or other forms of research support;
- iv. Patents, copyrights, licenses, and other intellectual property interests;
- vi. Business ownership and investment interests.

PRODUCT DESCRIPTION

Help

- New Hardware or Significant Modification
 Modification to Existing Hardware

The TrafFix Devices Economy Type III barricade is a temporary work-zone traffic control device consisting of two (2) steel crowned leg assemblies and three (3) plastic rails.

The plastic rails are approximately 8.0 in. (203 mm) tall by 0.75 in. (19 mm) thick and vary in length from 4 ft. (1.2 m) to 12 ft. (3.7 m). The as-tested system utilized 8.0 ft. long plastic rails. The plastic rails can be fitted with or without reflective sheeting. The rails are mounted in four using standard nuts, bolts, and fender washers. The bottom panel is 12.0 in. (305 mm) from the ground and the top panel has a maximum height of 60.0 in. (1524 mm). When the rails are mounted on the vertical uprights they are spaced 12.0 in. (305 mm) apart. The barricade can be used with or without a sign mounted to the horizontal panels. A 48.0 in. x 30.0 in. (1219 mm x 762 mm) rigid sign was mounted to the plastic rails during testing.

The steel leg assembly consists of one (1) crowned leg weldment and one (1) vertical upright. The crowned legs are composed of two steel angles and have an overall length of 60.0 in. (1524 mm). There is a steel socket welded at the center of the crowned legs that holds the vertical upright in place. The vertical uprights are composed of steel angle and have a hole drilled at the top for mounting a warning light. The warning light can be mounted with or without a bolt protector. One sand bag was placed on the end of each leg and one warning light was mounted to one of the uprights during testing. The barricade can be used with or without sand bags and warning lights.

The TrafFix Devices Economy Type III Barricade remained unchanged from the previously tested and passed NCHRP 350 version. Since there were no changes made to the product, existing inventory can be considered MASH compliant.

CRASH TESTING

By signature below, the Engineer affiliated with the testing laboratory, agrees in support of this submission that all of the critical and relevant crash tests for this device listed above were conducted to meet the MASH test criteria. The Engineer has determined that no other crash tests are necessary to determine the device meets the MASH criteria.

Engineer Name:	Steven Matsusaka	
Engineer Signature:	<h1 style="margin: 0;">Steven Matsusaka</h1>	Digitally signed by Steven Matsusaka DN: cn=Steven Matsusaka, email=steven.matsusaka@idiada.com, c=US Date: 2020.02.14 11:25:23 -08'00'
Address:	9270 Holly Road, Adelanto, CA 92301	Same as Submitter <input type="checkbox"/>
Country:	United States	Same as Submitter <input type="checkbox"/>

A brief description of each crash test and its result: Help

Required Test Number	Narrative Description	Evaluation Results
3-70 (1100C)	Designed to evaluate the ability of a small vehicle to activate any breakaway, fracture, or yielding mechanism. Per MASH Test 3-70 is considered optional for work-zone traffic control devices weighing less than 220 lbs (100 kg). The as-tested device weighed approximately 49 lbs (22 kg) and therefore test 3-70 was not conducted.	Non-Relevant Test, not conducted

Required Test Number	Narrative Description	Evaluation Results
3-71 (1100C)	<p>Test report number P39097-01, conducted on 04/04/19. Test 3-71 involves an 1100C test vehicle impacting the temporary work-zone traffic control device at a critical impact angle of 0° and 90°. The test is designed to evaluate occupant compartment penetration, vehicle stability, and occupant risk criteria. The test vehicle was a commercially available 2015 Hyundai Accent with a test inertial weight of 2425.0 lbs (1100.0 kg).</p> <p>The test vehicle impacted the first barricade oriented at 90° at a speed of 62.87 mph (101.18 km/h). There was no penetration into the occupant compartment and no vehicle instability was induced. The vehicle cleared the device in a controlled manner and continued to impact the second barricade oriented at 0° at a speed of 60.75 mph (97.76 km/h). The barricade was activated in a predictable manner and did not penetrate the occupant compartment. The TrafFix Economy Type III barricade did not induce vehicle instability, block the driver's vision, and did not create a debris field that would present undue hazards to other traffic, pedestrians, or personnel in a work zone. The occupant compartment was not penetrated and the deformation limits were not exceeded. The TrafFix Devices Economy Type III barricade met all the requirements for MASH Test 3-71.</p>	PASS

3-72 (2270P)	<p>Test report number P39097-02, conducted on 04/04/19. Test 3-72 involves a 2270P test vehicle impacting the temporary work-zone traffic control device at a critical impact angle of 0° and 90°. The test is designed to evaluate occupant compartment penetration, vehicle stability, and occupant risk criteria. The test vehicle was a commercially available 2013 RAM 1500 with a test inertial weight of 4903.0 lbs (2240.0 kg).</p> <p>The test vehicle impacted the first barricade oriented at 90° at a speed of 61.31 mph (98.67 km/h). There was no penetration into the occupant compartment and no vehicle instability was induced. The vehicle cleared the device in a controlled manner and continued to impact the second barricade oriented at 0° at a speed of 60.20 mph (96.88 km/h). The barricade was activated in a predictable manner and did not penetrate the occupant compartment. The TrafFix Economy Type III barricade did not induce vehicle instability, block the driver's vision, and did not create a debris field that would present undue hazards to other traffic, pedestrians, or personnel in a work zone. The occupant compartment was not penetrated and the deformation limits were not exceeded. The TrafFix Devices Economy Type III barricade met all the requirements for MASH Test 3-72.</p>	PASS
--------------	--	------

Full Scale Crash Testing was done in compliance with MASH by the following accredited crash test laboratory (cite the laboratory's accreditation status as noted in the crash test reports.):

Laboratory Name:	Applus IDIADA KARCO Engineering, LLC.	
Laboratory Signature:	Steven Matsusaka	<small>DN: cn=Steven Matsusaka, email=steven.matsusaka@idiada.com, c=US Digitally signed by Steven Matsusaka Date: 2020.02.14 11:26:41 -08'00'</small>
Address:	9270 Holly Road, Adelanto, CA 92301	Same as Submitter <input type="checkbox"/>
Country:	United States	Same as Submitter <input type="checkbox"/>
Accreditation Certificate Number and Dates of current Accreditation period :	TL-371: July 2019 - July 2022	

Submitter Signature*: Robert Ramirez Digitally signed by Robert Ramirez
Date: 2020.02.14 14:55:47 -08'00'

Submit Form

ATTACHMENTS

Attach to this form:

- 1) Additional disclosures of related financial interest as indicated above.
- 2) A copy of the full test report, video, and a Test Data Summary Sheet for each test conducted in support of this request.
- 3) A drawing or drawings of the device(s) that conform to the Task Force-13 Drawing Specifications [[Hardware Guide Drawing Standards](#)]. For proprietary products, a single isometric line drawing is usually acceptable to illustrate the product, with detailed specifications, intended use, and contact information provided on the reverse. Additional drawings (not in TF-13 format) showing details that are relevant to understanding the dimensions and performance of the device should also be submitted to facilitate our review.

FHWA Official Business Only:

Eligibility Letter		
Number	Date	Key Words

MASH 2016 Test 3-71 Summary

90° CIA

0° CIA



0.000 s

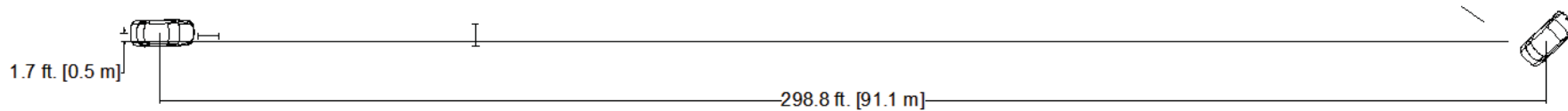
0.060 s

0.120 s

0.686 s

0.746 s

0.806 s



GENERAL INFORMATION

Test Agency..... Applus IDIADA KARCO
 Test No..... P39097-01
 Test Designation..... 3-71
 Test Date..... 4/4/19

TEST ARTICLE

Name / Model..... Economy Type III Barricade
 Type..... Work-Zone Device
 Device Height 5.0 ft. (1.5 m)
 Key Elements..... Plastic rail, crown legs, light
 Road Surface..... Concrete

TEST VEHICLE

Type / Designation..... 1100C
 Year, Make, and Model..... 2015 Hyundai Accent
 Curb Mass..... 2,384.2 lbs (1,081.5 kg)
 Test Inertial Mass..... 2,425.0 lbs (1,100.0 kg)
 Gross Static Mass..... 2,588.2 lbs (1,174.0 kg)

Impact Conditions

Impact Velocity Device 1..... 62.87 mph (101.18 km/h)
 Impact Velocity Device 2..... 60.75 mph (97.76 km/h)
 Device 1 Angle..... 90.0°
 Device 2 Angle..... 0.0°
 Device 1 Kinetic Energy..... 320.4 kip-ft (434.5 kJ)
 Device 2 Kinetic Energy..... 299.1 kip-ft (405.6 kJ)

Exit Conditions

Device 1 Exit Velocity..... 62.5 mph (100.6 km/h)
 Device 2 Exit Velocity..... 59.3 mph (95.4 km/h)
 Vehicle Resting Position..... 298.8 ft. (91.1 m) Downstream
 1.7 ft. (0.5 m) Right
 Vehicle Stability Satisfactory
 Maximum Roll Angle..... N/A*
 Maximum Pitch Angle..... N/A*
 Maximum Yaw Angle..... N/A*

* Not Applicable, device weighs less than 220 lbs (100 kg)

Occupant Risk

Longitudinal OIV..... N/A*
 Lateral OIV..... N/A*
 Longitudinal RA..... N/A*
 Lateral RA..... N/A*
 THIV..... N/A*
 PHD..... N/A*
 ASI..... N/A*

Test Article Deflections

Debris Field (longitudinal) 274.9 ft. (83.8 m)
 Debris Field (lateral)..... 19.3 ft. (5.9 m)

Vehicle Damage

Vehicle Damage Scale..... 12-FC-1
 CDC..... 12FCMW1
 Maximum Intrusion..... 0.2 in. (4 mm) at windshield

Figure 2 Summary of Test 3-71

MASH 2016 Test 3-72 Summary

90° CIA

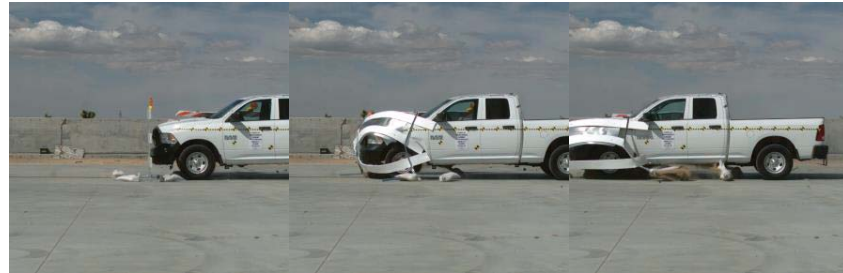
0° CIA



0.000 s

0.060 s

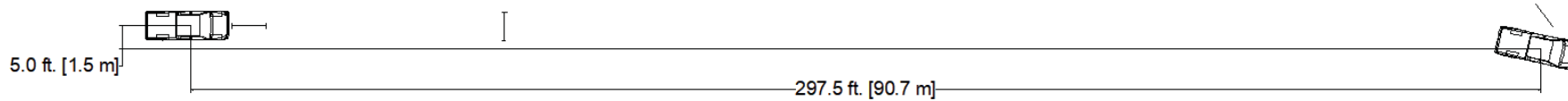
0.120 s



0.689 s

0.749 s

0.809 s



GENERAL INFORMATION

Test Agency..... Applus IDIADA KARCO
 Test No..... P39097-02
 Test Designation..... 3-72
 Test Date..... 4/4/19

TEST ARTICLE

Name / Model..... Economy Type III Barricade
 Type..... Work-Zone Device
 Device Height 5.0 ft. (1.5 m)
 Key Elements..... Plastic rail, crown legs, light
 Road Surface..... Concrete

TEST VEHICLE

Type / Designation..... 2270P
 Year, Make, and Model..... 2013 RAM 1500
 Curb Mass..... 5,034.2 lbs (2,283.5 kg)
 Test Inertial Mass..... 4,903.0 lbs (2,224.0 kg)
 Gross Static Mass..... 4,903.0 lbs (2,224.0 kg)

Impact Conditions

Impact Velocity Device 1..... 61.31 mph (98.67 km/h)
 Impact Velocity Device 2..... 60.20 mph (96.88 km/h)
 Device 1 Angle..... 90.0°
 Device 2 Angle..... 0.0°
 Device 1 Kinetic Energy..... 616.1 kip-ft (835.4 kJ)
 Device 2 Kinetic Energy..... 594.1 kip-ft (805.5 kJ)

Exit Conditions

Device 1 Exit Velocity..... 60.8 mph (97.9 km/h)
 Device 2 Exit Velocity..... 59.5 mph (95.7 km/h)
 Vehicle Resting Position..... 297.5 ft. (90.7 m) Downstream
 5.0 ft. (1.5 m) Right

Vehicle Stability Satisfactory

Maximum Roll Angle..... N/A*

Maximum Pitch Angle..... N/A*

Maximum Yaw Angle..... N/A*

* Not Applicable, device weighs less than 220 lbs (100 kg)

Occupant Risk

Longitudinal OIV..... N/A*
 Lateral OIV..... N/A*
 Longitudinal RA..... N/A*
 Lateral RA..... N/A*
 THIV..... N/A*
 PHD..... N/A*
 ASI..... N/A*

Test Article Deflections

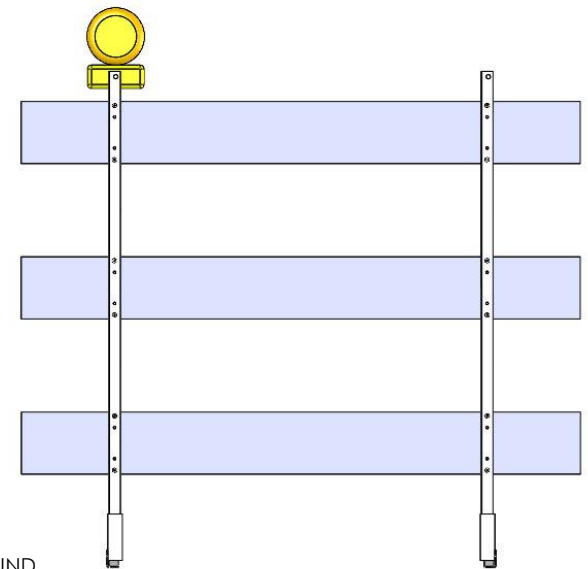
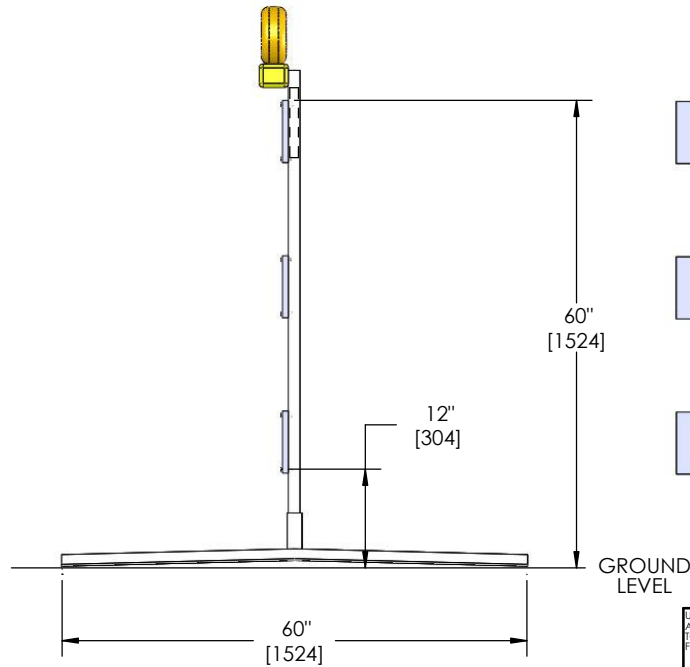
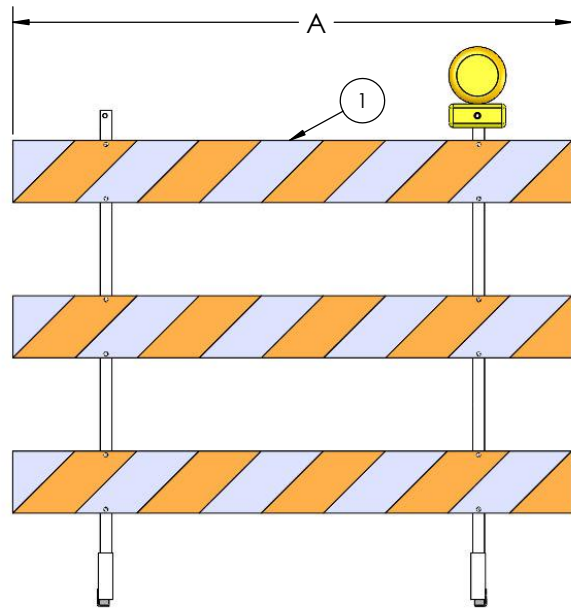
Debris Field (longitudinal) 288.0 ft. (87.8 m)
 Debris Field (lateral)..... 26.0 ft. (7.9 m)

Vehicle Damage

Vehicle Damage Scale..... 12-FC-1
 CDC..... 12FCMW1
 Maximum Intrusion..... 0.2 in. (4 mm) at windshield

Figure 2 Summary of Test 3-72

ITEM NO.	DESCRIPTION	Dim A
1	PHOENIX PLASTIC RAIL PER CUSTOMER ORDER	
1A	4' LG PHOENIX PLASTIC RAIL	4'
1B	6' LG PHOENIX PLASTIC RAIL	6'
1C	8' LG PHOENIX PLASTIC RAIL	8'
1D	10' LG PHOENIX PLASTIC RAIL	10'
1E	12' LG PHOENIX PLASTIC RAIL	12'



UNLESS OTHERWISE SPECIFIED:
ALL DIMENSIONS ARE IN INCHES[mm].
TOLERANCES:
FRACTIONAL: X/8 ± 1/16" [1.6mm]



160 Avenida La Pata
San Clemente, CA 92673
(949) 361-5663
FAX (949) 361-9205
www.traffixdevices.com

TITLE: TYPE III ECONOMY
BARRICADE
WITH CROWN LEGS

DRAWN BY: RLP	DATE: 04-15-19
CHECKED BY: FA	DATE: 04-15-19
APPROVED BY: FA	DATE: 04-15-19

SIZE B	DWG. NO. 500-213	REV A
------------------	----------------------------	-----------------

SHEET 1 OF 1