

**TraFFix
Devices Inc.**



Engineered Products for Safer Highways

**PORTABLE
OMNI
STOP**
BOLLARDS

Hostile Vehicle Mitigation



**Portable Vehicle Access Unit and
Portable Bollard Gates**
F1202045 & F1202044



**OmniStop Portable
Bollard System**
F1202046

- Tested per ASTM 3016 requirements, 5,000 lb. vehicle at 30 mph
- Prevents vehicle from entering pedestrian areas at Parades, Farmers Markets, Festivals and Sporting Events
- 100% free standing and portable
- Quick and easy to install
- Does not restrict pedestrian access in and out of an area while providing needed protection
- Easy access for wheelchairs and emergency vehicles
- End plate options to protect pedestrians from tripping hazards
- 10 foot segments each weighing 2,750 pounds. Steel only – 1,559 pounds/ Concrete 1,191 pounds
- Fully crash tested to contain an errant vehicle
- Reduces the risk of injury to vehicle's occupants



**OmniStop Portable
Wheelchair Access Unit**
F1202093



OmniStop Portable End Plates
F1202302F

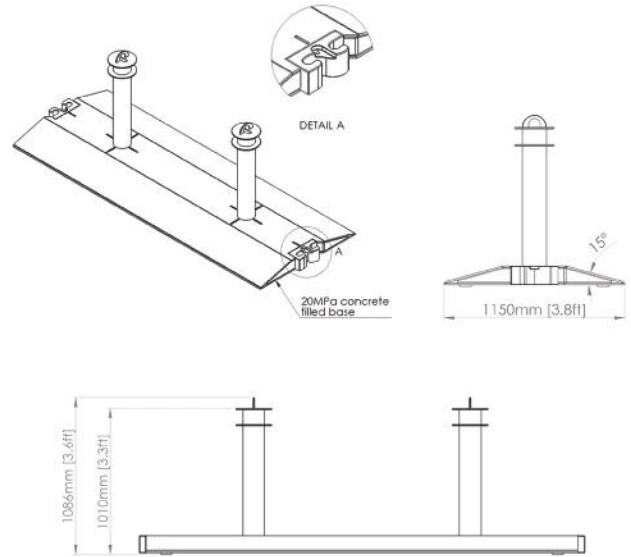
PRODUCT BULLETIN



OmniStop™ Portable Security Bollard System

Specifications

The portable bollard system is constructed from a series of individual bollard units. Each unit is constructed from steel and contains a concrete ballast. The system is crash tested to contain a 5,000 lb/2,270 kg vehicle traveling at 30 mph/48 kph per the test requirements of ASTM 3016. The portable bollard system is completely freestanding and unanchored allowing for free flowing pedestrian foot traffic. The system also provides emergency vehicle and wheelchair access options. Each 10 ft/3.04m unit is interlocked and provided with bidirectional connectors. The outer surface contains an anti-slip coating and can be color customized. A minimum deployment of 5 interlocking units is required along with a recommended 12 ft/3.6m “red zone” to protect pedestrians from airborne debris. A Converter/Installation Certification program is provided to ensure proper steps are in place to provide maximum pedestrian protection.



SPECIFICATIONS	BOLLARD UNIT
Length	3.088 m / 10.1 ft.
Width	1.150 m / 3.8 ft.
Height	1.076 m / 3.5 ft.
Weight	1250 kg / 2750 lb.
Diameter	150 mm / 0.5 ft.



**TraFFix
Devices Inc.** 
Engineered Products for Safer Highways

160 Avenida La Pata, San Clemente, CA 92673
(949) 361-5663 FAX (949) 361-9205
www.traffixdevices.com

Distributed by: