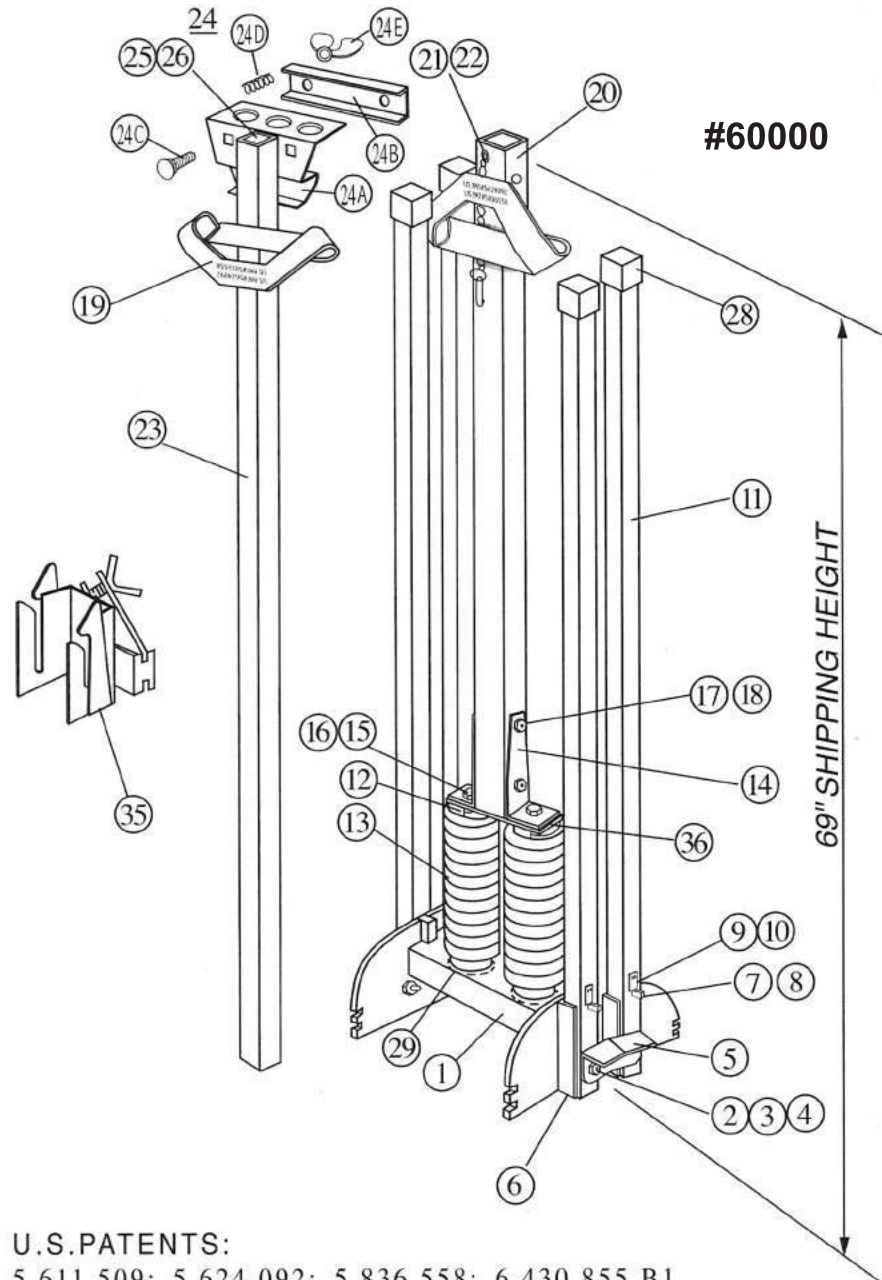


SPARE PARTS LIST

PART NUMBER	ITEM DESCRIPTION	QTY ASSEM.	UNIT LIST PRICE (\$)
1	60001 Base Plate	1	28.00
2 & 18	24302 Hex. Lock Nut	6	0.25
3	24303 Spacer Washer	4	2.55
4 & 17	24304 Hex. Bolt	6	0.55
5	60005 Tie Bracket	2	4.90
6	60006 Channel Bracket	4	2.40
7	60007 Step Lever	4	1.80
8	24308 Extension Spring	4	0.55
9	24309 Cover Plate	4	0.30
10	24310 Round Head Screw	8	0.10
11	60011 Leg Excluding: 60007, 24308, 24309, & 24310	4	22.00
12	60012 Insert Plug (Spring Holder)	4	5.25
13	60013 Spring	2	27.50
14	24314 Spring Bracket	2	6.30
15	60015 Hex. Bolt	4	0.70
16	24316 Lock Washer	4	0.15
19	60019 Rigid Sign Bracket	2	24.20
20	60020 Outer Mast	1	19.80
21	60021 Rivet, 3/16" x 5/16"	1	0.15
22	60022 Faspin C5-16-R, w/ Chain	1	2.50
23	60023 Inner Mast Excluding: 24324, 60025, & 60026	1	19.80
24	24324 Flag Holder Assembly	1	13.90
FLAG HOLDER ASSEMBLY INCLUDES THE FOLLOWING:			
24A	24324A Flag Holder	1	8.40
24B	24324B Flag Holder Clamp	1	3.30
24C	24324C Carriage Bolt	2	0.35
24D	24324D Compression Spring	2	0.45
24E	24324E Butterfly Nut	2	0.35
25	24325-A Round Head Screw	2	0.15
26	24325-B Lock Nut	2	0.15
28	60028 Black Cap	4	1.10
29	24329 Stiffener Washer	2	0.55
31	60031-L "BIG BUSTER" Label	1	2.00
	24031-SS "SIGN SIDE" Decal	1	2.00
35	60035 Spring Loaded Roll-Up Sign Bracket (Optional)	1	26.40
36	60014B Stiffener Plate	1	3.10



Traffix® Big Buster® Sign Stand



U.S. PATENTS:

5,611,509; 5,624,092; 5,836,558; 6,430,855 B1

www.traffixdevices.com

Phone: (949)361-5663