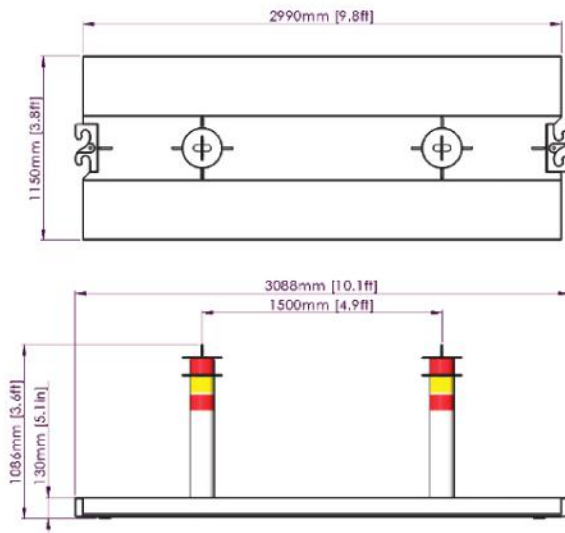


# OmniStop™ Portable Bollard System

## Product Weights and Dimensions

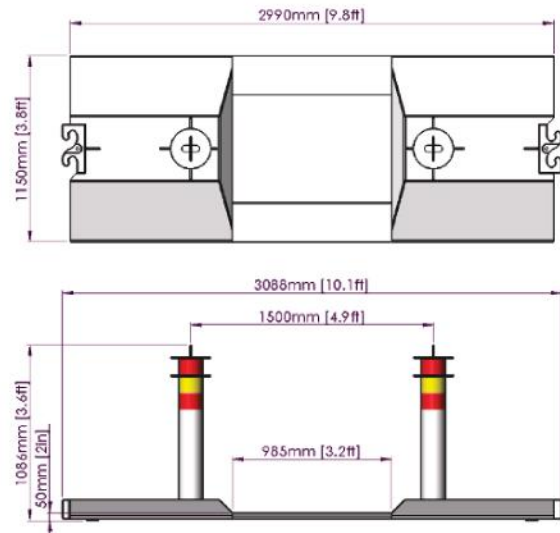
### OmniStop Portable Bollard

Installed Length	3,000mm (9.8ft)
Unit Length	3,088mm (10.1ft)
Unit Width	1,150mm (3.8ft)
Unit Height: Bollard	1,086mm (3.6ft)
Unit Height: Base	130mm (5.1in)
Weight	1,250kg (2,750lbs)



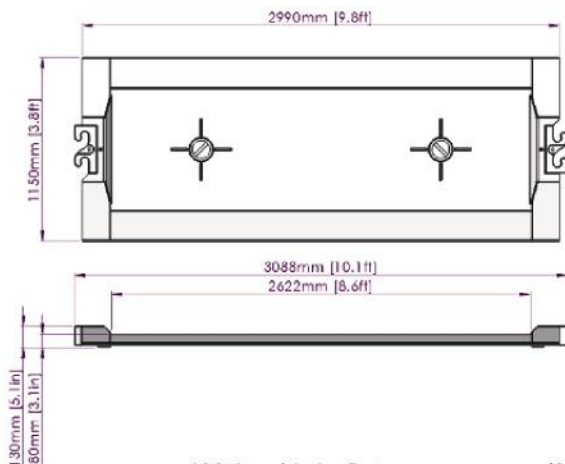
### OmniStop Portable Wheelchair Access Unit

Installed Length	3,000mm (9.8ft)
Unit Length	3,088mm (10.1ft)
Unit Width	1,150mm (3.8ft)
Unit Height: Bollard	1,086mm (3.6ft)
Unit Height: Base	130mm (5.1in)
Weight	1,040kg (2,290lbs)



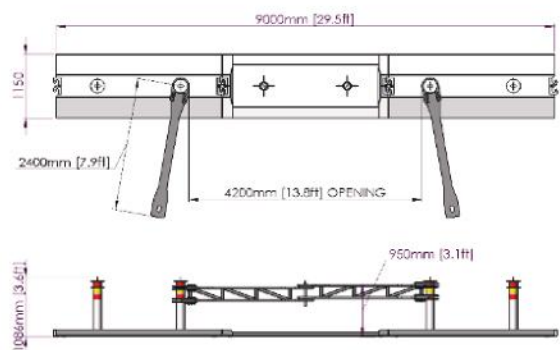
### OmniStop Portable Vehicle Access

Installed Length	3,000mm (9.8ft)
Unit Length	3,088mm (10.1ft)
Unit Width	1,150mm (3.8ft)
Unit Height: Base	130mm (5.1in)
Weight	930kg (2,050lbs)



### OmniStop Portable Gate Assembly

Installed Length	9,000mm (29.5ft)
Unit Width	1,150mm (3.8ft)
Weight: Assembly	3,900kg (2,050lbs)
Gate Arm (each)	230kg (500lbs)
Gate Retaining Pin	7kg (15lbs)



## OmniStop End Plate

<b>Installed Length</b>	3,455mm (11.3ft)
<b>Unit Length</b>	540mm (1.8ft)
<b>Unit Width</b>	1,160mm (3.8ft)
<b>Unit Height</b>	125mm (4.9in)
<b>Weight</b>	18kg (40lbs)

